

Rubber Hammock – Stainless Steel Leg



Code - TE(ENC22)

Age

5-12 years

Materials

Stainless Steel

Stainless Steel Chain

Steel Cored Polyurethane Belt

Technical Information

Equipment Dimensions

Length / Width / Height **2.5m x 0.4m x 1.3m**

Surfacing and Area Required

SGF

SF (if different)

Recommended Minimum Space
L/W/H

5.2m x 4.1m x 2.5m

Max Gradient of Ground

1 in 30

1 in 50

Free Height of Fall

0.55m

Impact Area

16.9m²

Synthetic Area

(i.e. EPDM / Wetpour / Synthetic Grass etc.)

8.82m²

Loosefill at 150mm

(i.e. Bark / Cushionfall / Sand)

3m³

N/A

Grasslok Tiles

15m²

N/A

Installation Information

Installation Time

2 Person(s) 1.5 Hour(s)

Overall Weight

53kg

48kg

Heaviest Part

24kg

Largest Part

2.1m x 0.1m x 0.2m

1.4m x 0.2m x 0.2m

Longest Part

2.1m

1.4m

Concrete Required

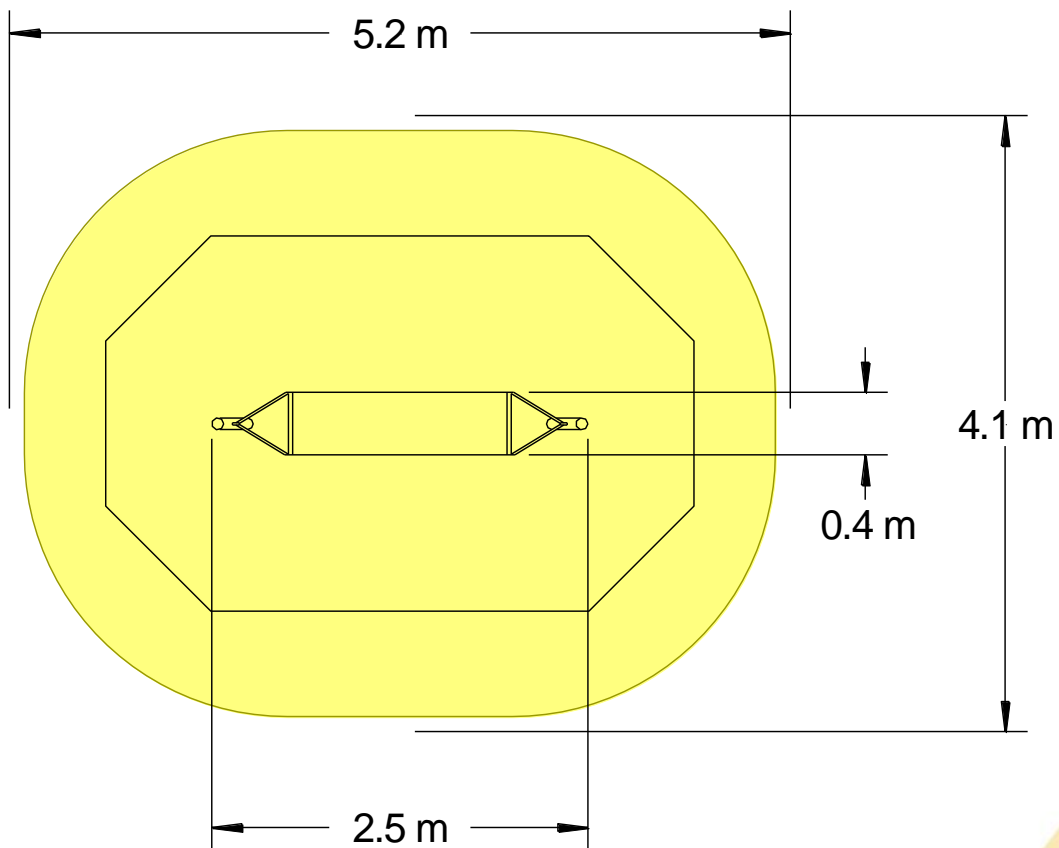
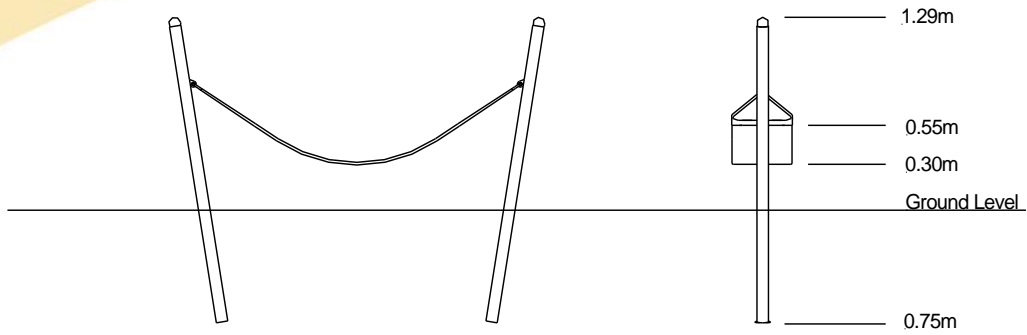
0.26m³

0.25m³

Conforms to EN1176

[Click here for more information & downloads](#)





[Click here for more information & downloads](#)

