



## Jukebox Lite - Alto Lite



-  Option A-  
Dark Blue/Yellow  
(Shown)
-  Option B-  
Purple/Lime Green
-  Option C-  
Green

### Code – JB/ALT

#### Age

5-12 years

#### Materials

Laminated Timber

Compact Grade Laminate (CGL)

Galvanised or Painted Mild Steel

Nylon Steel Cored Rope

Stainless Steel

Various Plastic Mouldings

### Technical Information

#### Equipment Dimensions

Length / Width / Height **1.0m x 1.2m x 3.4m**

#### Surfacing and Area Required

Recommended Minimum Space  
L/W/H **4.6m x 4.4m x 6.0m**

Max Gradient of Ground **1 in 50**

Free Height of Fall **1.5m**

Impact Area **11.80m<sup>2</sup>**

Synthetic Area  
(i.e. EPDM / Wetpour / Synthetic Grass etc.) **12.30m<sup>2</sup>**

Loosefill at 250mm  
(i.e. Bark / Cushionfall / Sand) **5m<sup>3</sup>**

Grasslok Tiles **19m<sup>2</sup>**

#### Installation Information

Steel Ground Fixed

Surface Fixed  
(if different)

Installation Time **2 Person(s) 8 Hour(s)**

Overall Weight **148kg**

Heaviest Part **35kg**

Largest Part **3.3m x 0.13m x 0.012m**

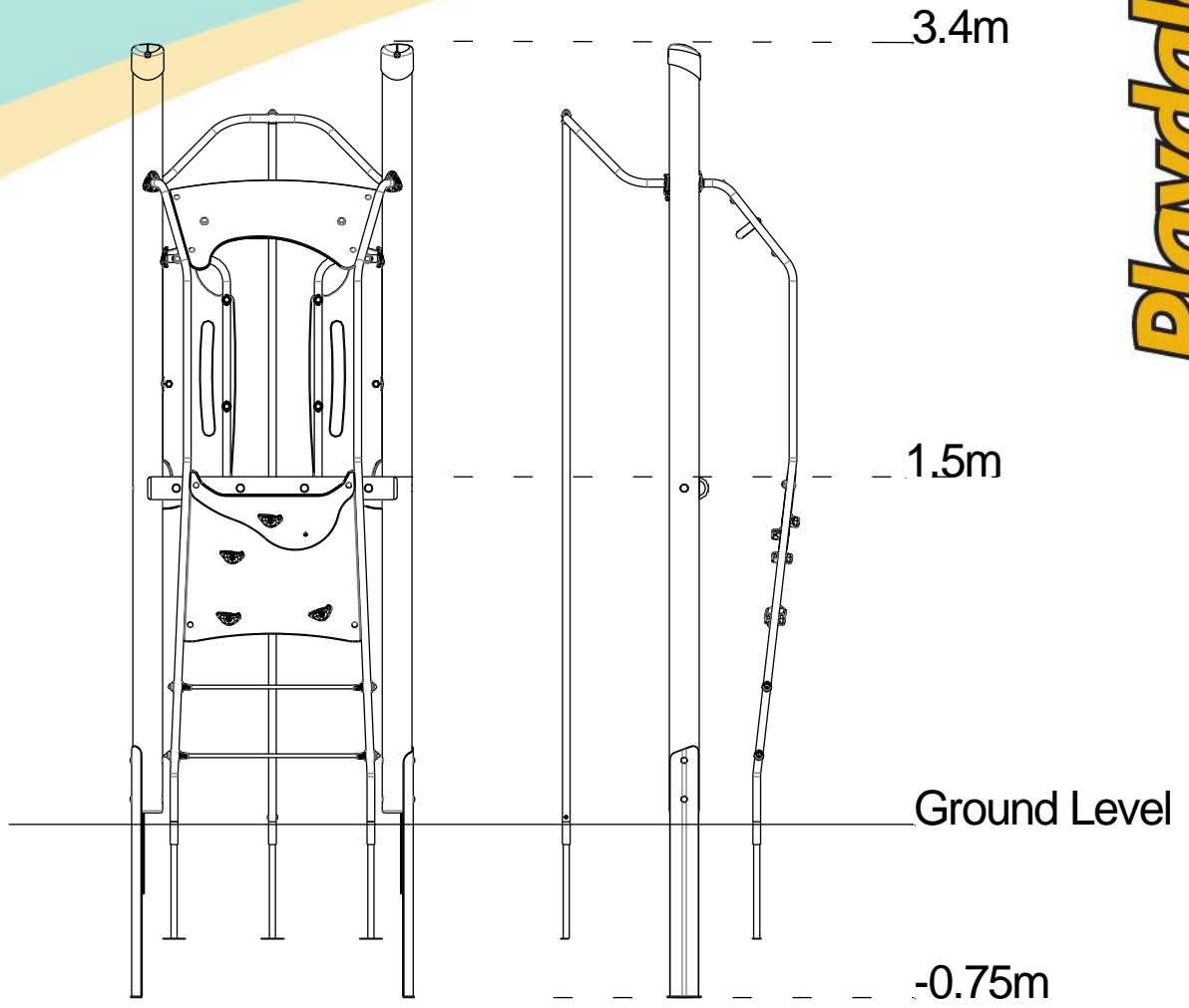
Longest Part **3.3m**

Concrete Required **0.6m<sup>3</sup>** **0.7m<sup>3</sup>**

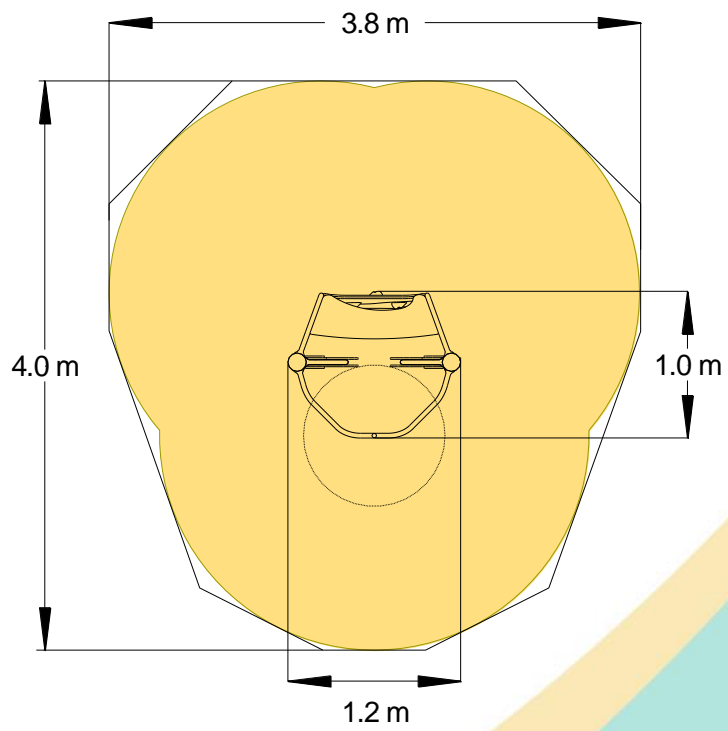
Conforms to EN 1176

[Click here for more information & downloads](#)





-  Impact Area
-  Free Space
-  Synthetic Area



[Click here for more information & downloads](#) 