



Fitness • Essentials



m²
15

0.9

14+

1

2

Power Smart Spinning Bike

8078516 Titanium Grey/Lime Green

8078516 Black/Lime Green

CC Cast In Place

★ 3.5 x 4.10

For more details please visit our website:
www.tgogc.com

A classic machine for any gym. This cardiovascular piece of equipment works the lower body as well as heart and lungs.

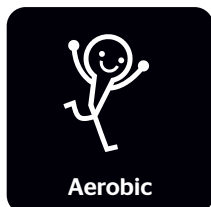
All the mechanisms and built in resistance are cleverly concealed making the spinning bike safe as well as protected from the elements. Ready to be used by anyone, whatever the weather.



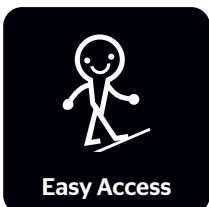
Fitness Values



Inclusive



Aerobic



Easy Access



Physical Challenge



Strength

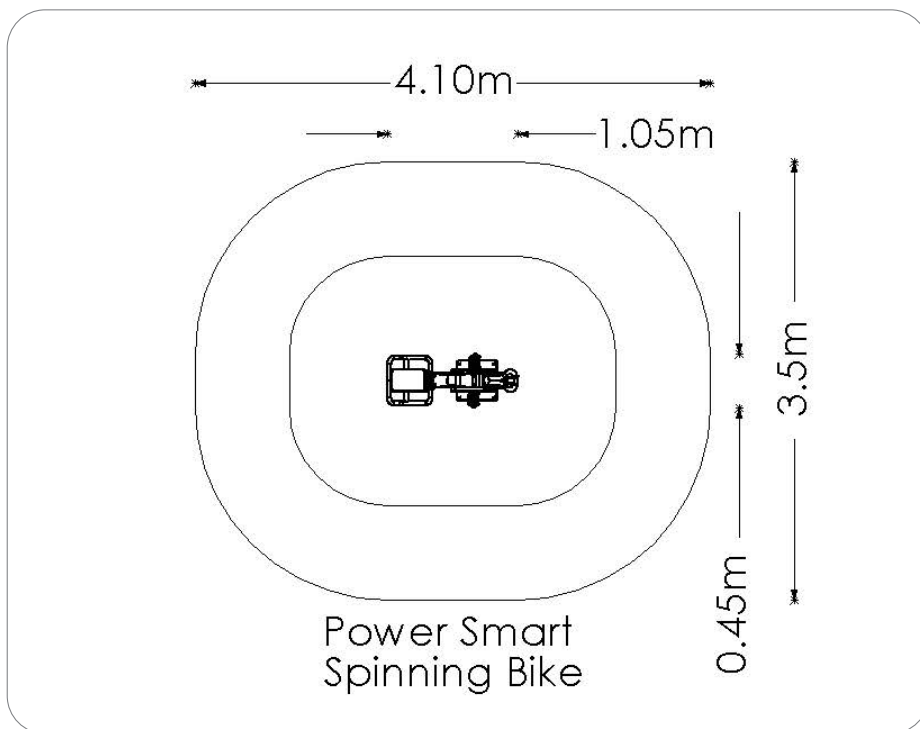




Fitness • Essentials

Spinning Bike

Age Range	14+
Users	1
Assembly Time (hrs)	2
Length (m)	1.05
Width (m)	0.45
Height (m)	1.21
Net Weight (kg)	80.5
Fall Height (m)	0.9
Movement Space L (m)	3.5
Movement Space W (m)	4.10
Area of movement (m ²)	15



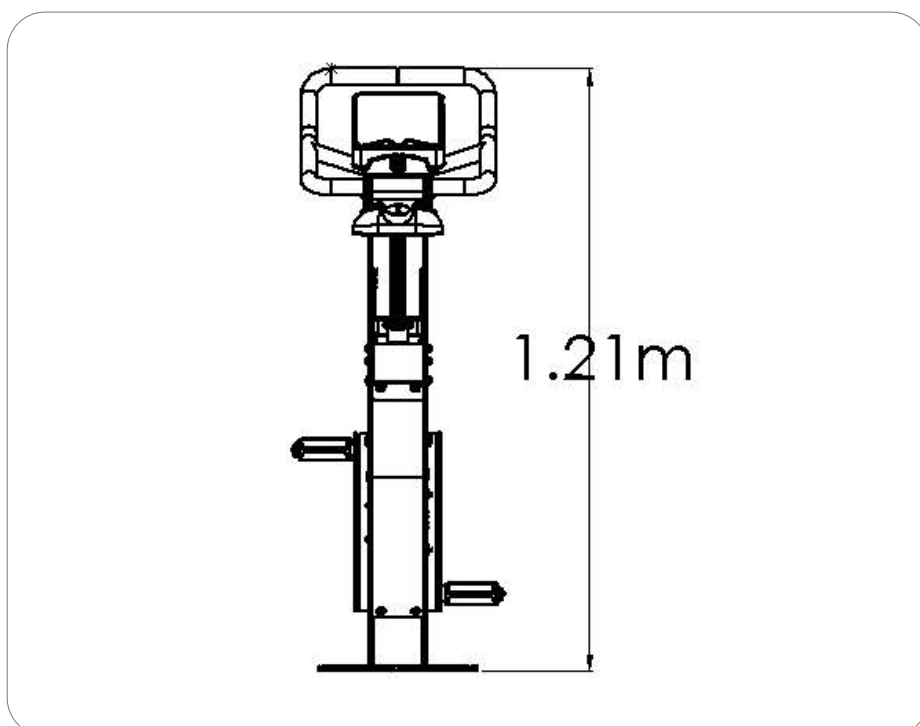
Technical Specification

Product designed and certified to EN 16630. Structural Steel plate minimum grade S275 J2 and Structural Steel tube.

Sealed for life bearings, stainless steel fixings and Aluminium pedals.

All steel parts are finished with 'HAGS Coat' antimicrobial powder coating system, as standard.

Generally, bolts are special stainless steel tamper resisting button heads.



Assembly time



Recommended age



Accessible



Free height of fall
EN 16630



Space needed



Area of movement
EN 16630



No. of
Users