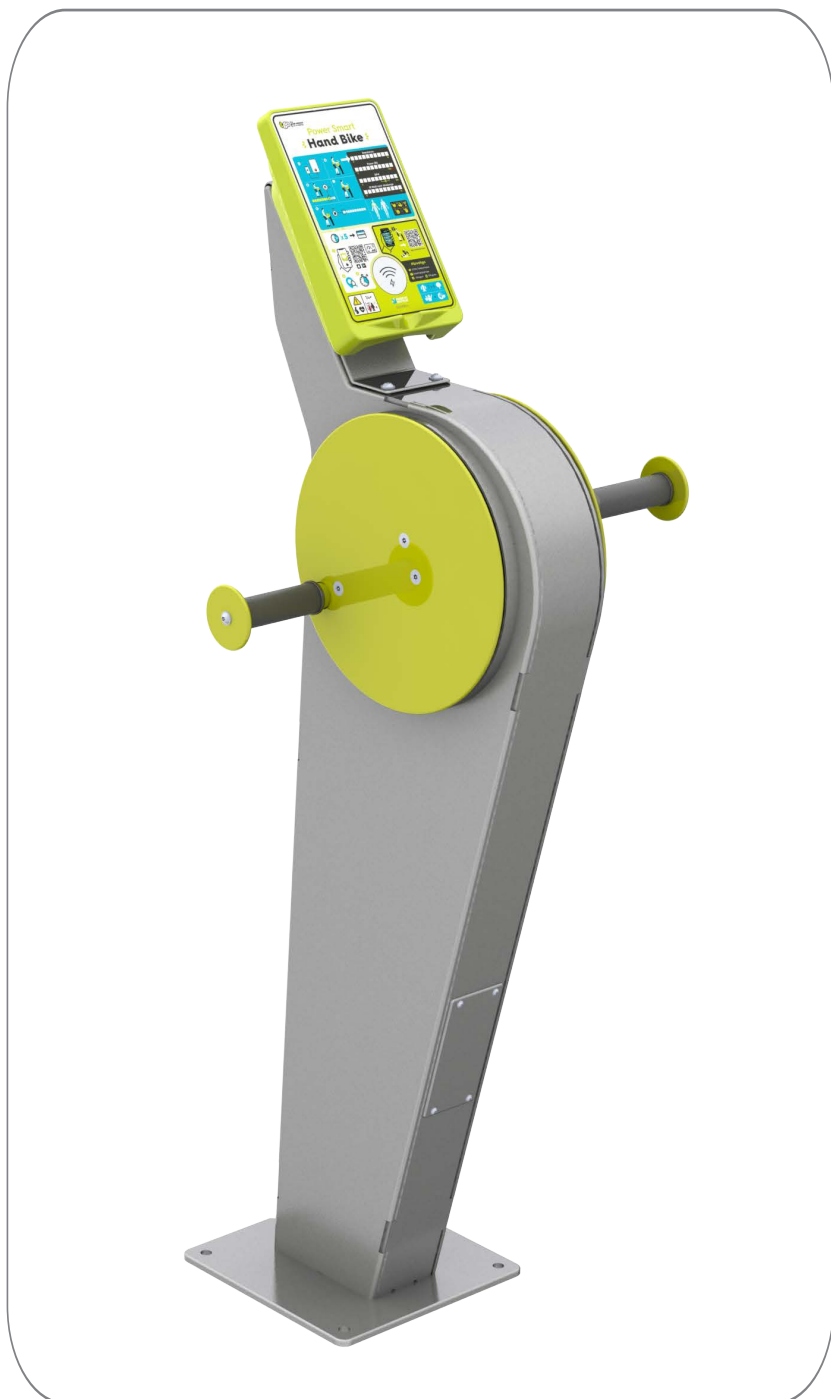




## Fitness • Essentials



### Power Smart Hand Bike



8078494 Titanium Grey/Lime Green  
8078492 Black/Lime Green



Cast In Place



3.65 x 3.6

For more details please visit our website:  
[www.tgoc.com](http://www.tgoc.com)

This inclusive product can be used by both able bodied users and wheelchair users.

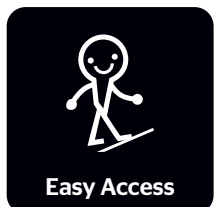
It is an excellent cardiovascular piece of equipment, toning up arms whilst improving muscle, stamina and endurance.



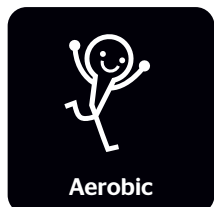
## Fitness Values



Inclusive



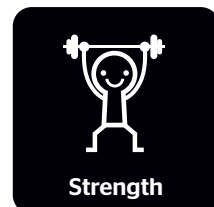
Easy Access



Aerobic



Physical Challenge



Strength

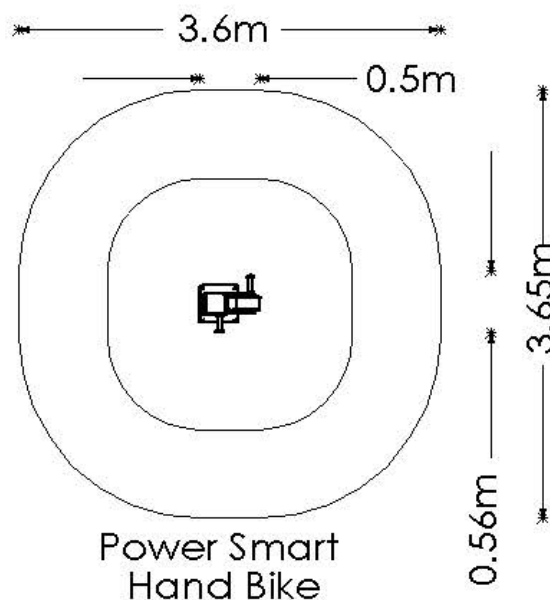




## Fitness • Essentials

### Hand Bike

Age Range	14+
Users	1
Assembly Time (hrs)	2
Length (m)	0.56
Width (m)	0.5
Height (m)	1.5
Net Weight (kg)	76.5
Movement Space L (m)	3.65
Movement Space W (m)	3.6
Area of movement (m <sup>2</sup> )	13



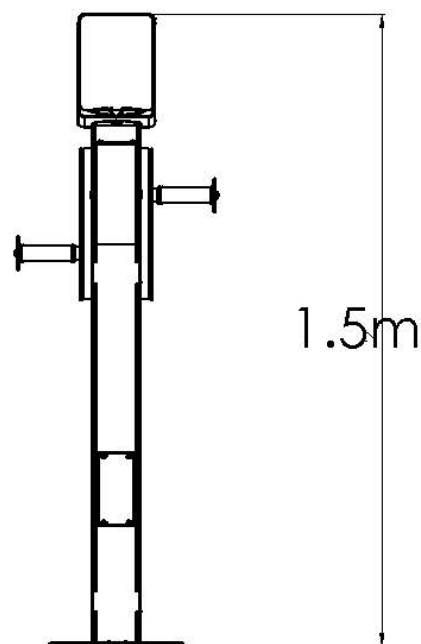
## Technical Specification

Product designed and certified to EN 16630. Structural Steel plate minimum grade S275 J2.

Sealed for life bearings and stainless steel fixings.

All steel parts are finished with 'HAGS Coat' antimicrobial powder coating system, as standard.

Generally, bolts are special stainless steel tamper resisting button heads.



Assembly time



Recommended age



Accessible



Free height of fall  
EN 16630



Space needed



Area of movement  
EN 16630



No. of  
Users