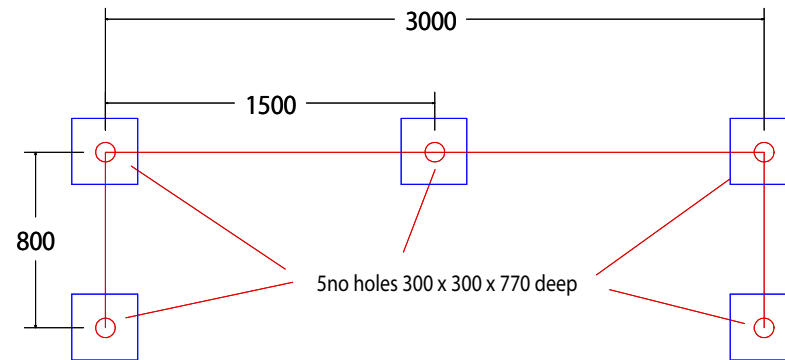


### HOLE PLAN FOR HIGHFIELD SPORTS GOAL



DESCRIPTION HIGHFIELD GOAL END - INSTALLATION			
SCALE	NTS	DATE	10/10/05
		DRG. No.	P/SP01/01