

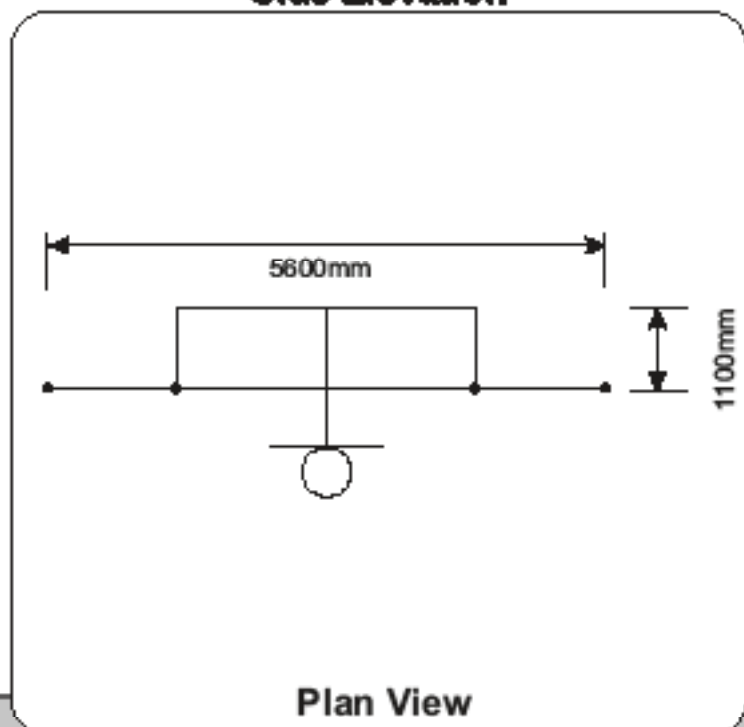


✓ All Play & Leisure's product range is fully compliant with **BS EN 1176:2008**

Technical AT-A-GLANCE

Product Code
MS03
Equipment Size
5600L x 1100W x 3300H

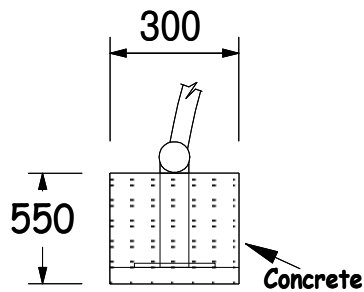
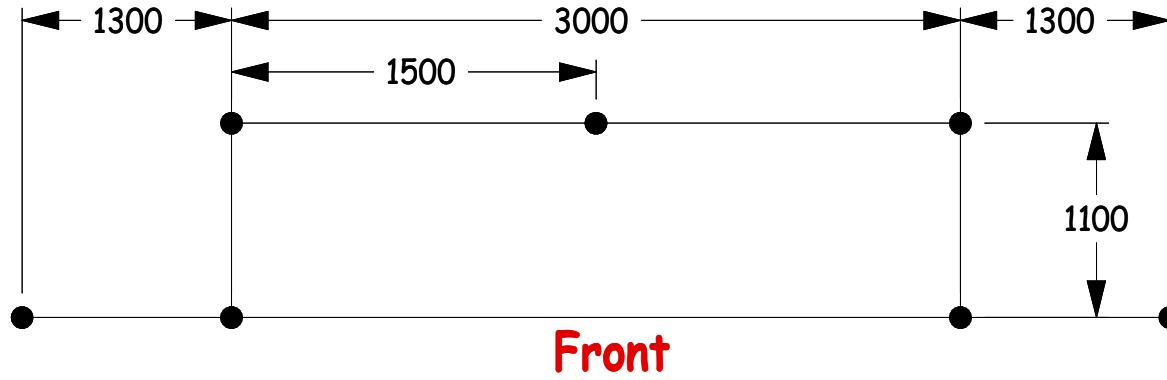
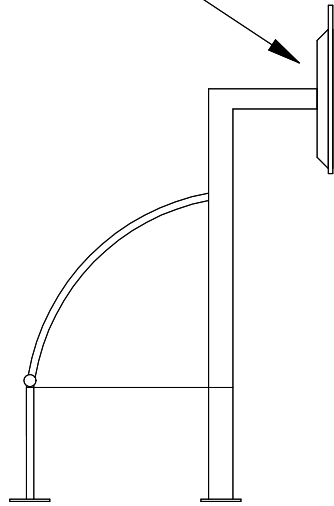
Side Elevation



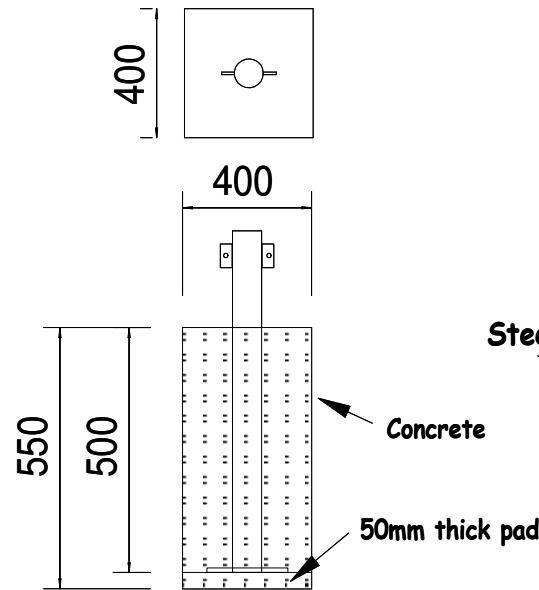
Play & Leisure



8no M10 x 40 Bolts, Caps, Washer & Nut. for Backboard & Hoop

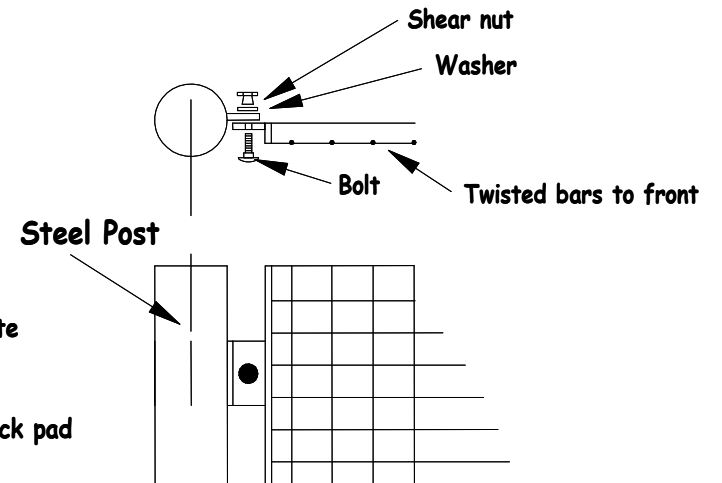


Rear Post Installation Detail



1m & 2m Posts

Front Post Installation Detail



Panel Fixing Detail



TITLE:	Hampden Goal End		
SCALE	Not to Scale	DATE	18/2/2013
		DRG. No.	MS03/1/01