



Powered by **tgo**

Fitness • Plus



m²
14

Air Walker

<0.6

8079024 Black/Lime Green

14+

8079029 Titanium Grey/Lime Green

1

CC Cast In Place

★ 415 x 440

3

For more details please visit our website:
www.hags.com

Helps to tone the calf and thigh muscles and improve general cardiovascular fitness, balance and co-ordination.

Swing your legs back and forth whilst keeping your abs tight and maintaining a neutral spine. Gradually increase the speed and intensity to make the exercise more challenging.



Fitness Values



Aerobic



Inclusive



Multigenerational



Physical Challenge



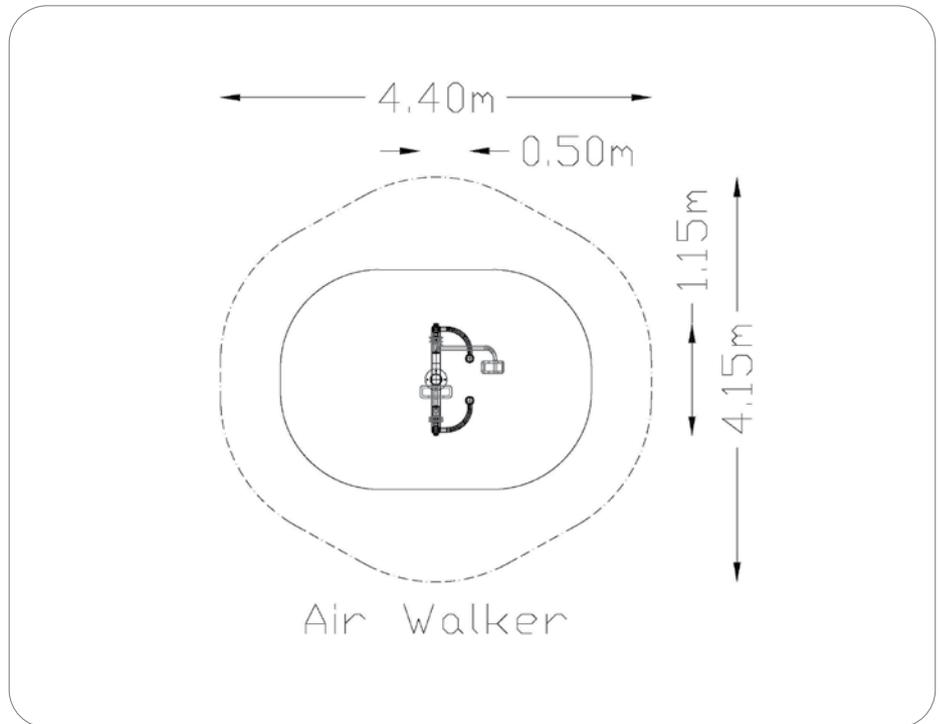
Strength





Fitness • Plus

Air Walker	
Age Range	14+
Users	1
Assembly Time (hrs)	3
Length (m)	1.15
Width (m)	0.50
Height (m)	1.45
Net Weight (kg)	150
Fall Height (m)	<0.6
Movement Space L (m)	4.15
Movement Space W (m)	4.40
Area of movement (m ²)	14

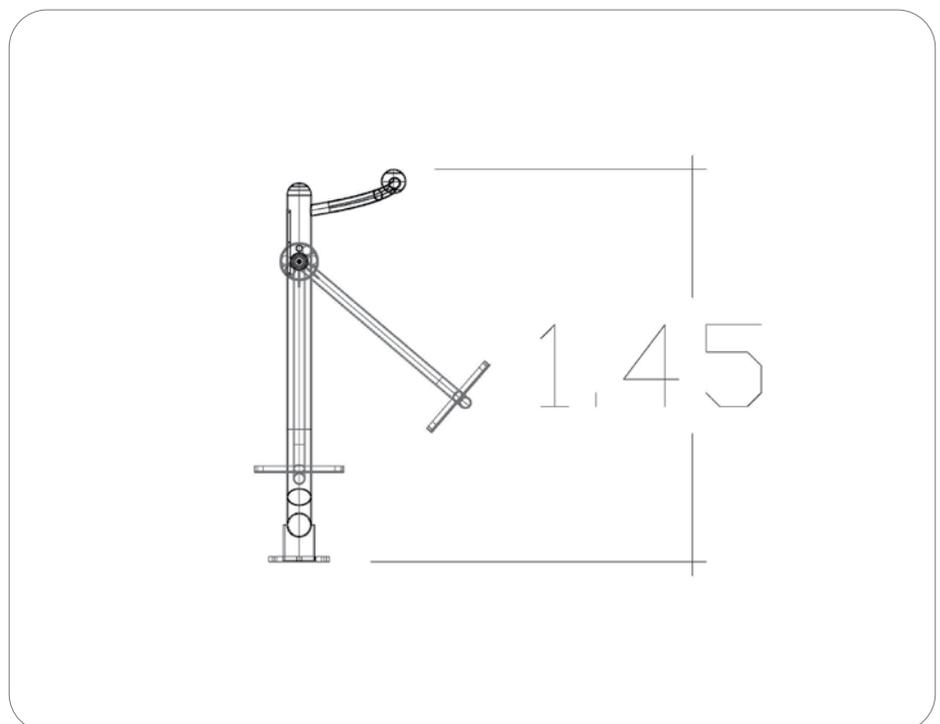


Technical Specification

Product designed and certified to EN 16630. Structural steel tubes fabricated to form a fully welded framework.

Sealed for life bearings, Internal motion controlling buffer stops and Aluminium foot plates.

All steel parts are finished with 'HAGS Coat' antimicrobial powder coating system, as standard. Generally, bolts are special stainless steel tamper resisting button heads.



Assembly time



Recommended age



Accessible



Free height of fall
EN 16630



Space needed



Area of movement
EN 16630



No. of
Users