

Big City Plus - Vancouver Plus



-  **Option A**
Dark Blue & Orange
(shown)
-  **Option B**
Purple & Yellow
-  **Option C**
All Green

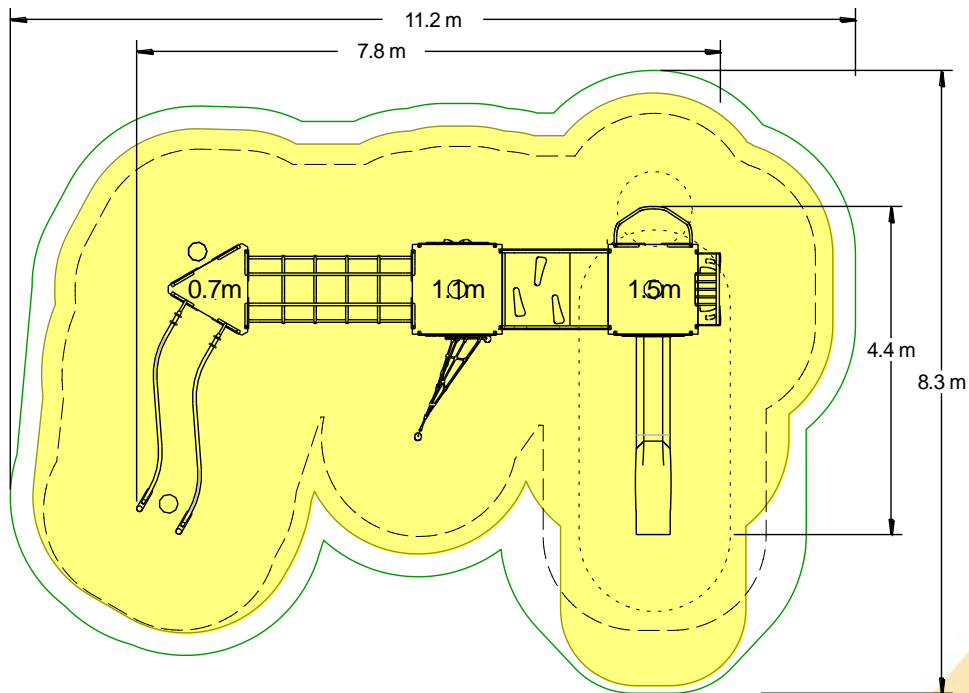
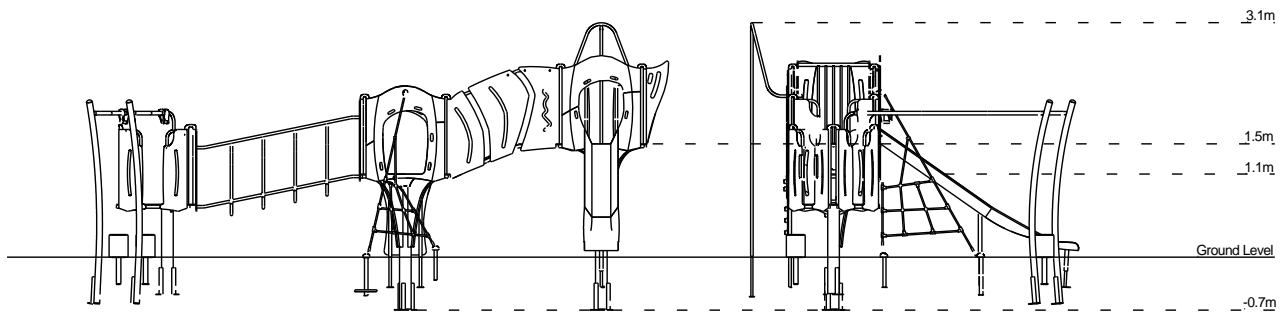
Code – BC/VAN*2
Age
5-12 years
Materials
Stainless Steel
Compact Grade Laminate (CGL)
Nylon Steel Cored Rope
Various Plastic Mouldings
LLDPE Slide

A junior modular tower system comprising of:

- Square Tower (1.5m)
- Square Tower 1.1m)
- Lookout Tower
- Slide (1.5m)
- Twisted Climbing Net (1.1m)
- Climbing Wall (1.1m)
- Fireman's Pole (1.5m)
- Inclined Bridge (without net ring)
- Overhead Hand Sliders
- Inclined Hoop Bars

Technical Information		
Equipment Dimensions		
Length / Width / Height	7.8m x 4.4m x 3.1m	
Surfacing and Area Required		
Recommended Minimum Space L/W/H	11.2m x 8.3m x 4.3m	
Max Gradient of Ground	1 in 50	
Free Height of Fall	1.85m	
Impact Area	60.73m ²	
Synthetic Area (i.e. EPDM / Wet Pour / Synthetic Grass etc.)	63.50m ²	
Loosefill at 250mm (i.e. Bark / Cushionfall / Sand)	19m ³	
GrassLok Tiles	81m ²	
Installation Information	SGF	SF (if different)
Installation Time	2 Persons 19 Hours	
Overall Weight	909kg	
Heaviest Part	37kg	
Largest Part	3.1m x 0.4m x 0.4m	
Longest Part	3.1m	
Concrete Required	1.01m ³	1.56m ³
Certified to ASTM F1487		

[Click here for more information & downloads](#) 



-  Recommended Minimum Space
-  Impact Area
-  Free Space
-  Unit Spacing Boundary

[Click here for more information & downloads](#) 