

Big City Plus - Turin Plus



-  **Option A**
Dark Blue & Orange (shown)
-  **Option B**
Purple & Yellow
-  **Option C**
All Green

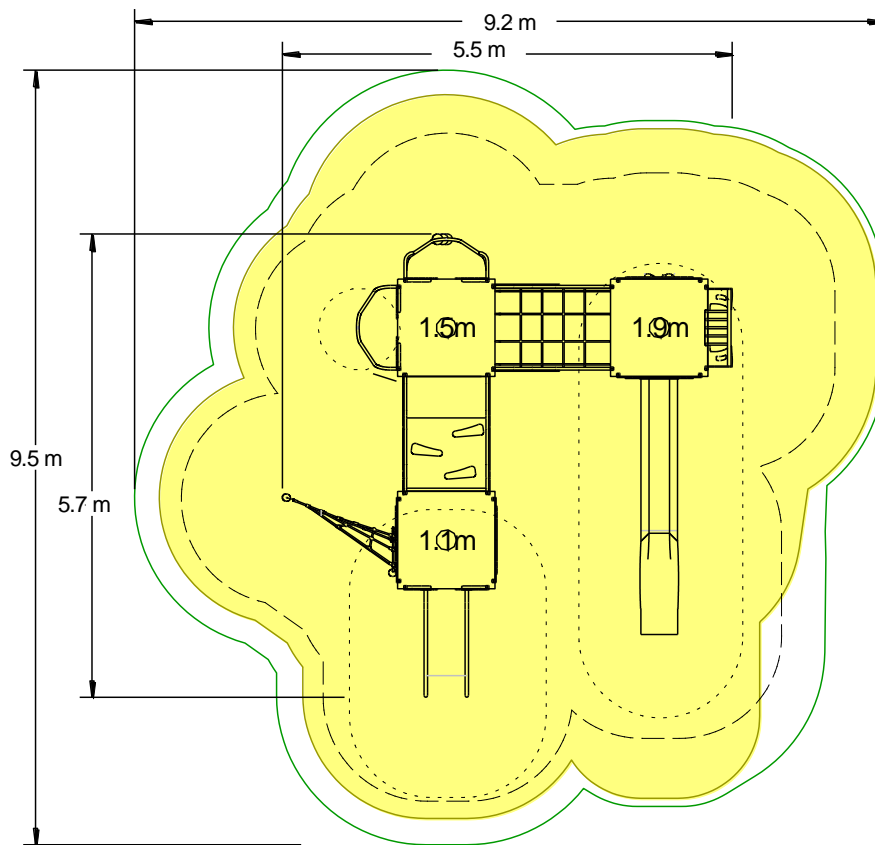
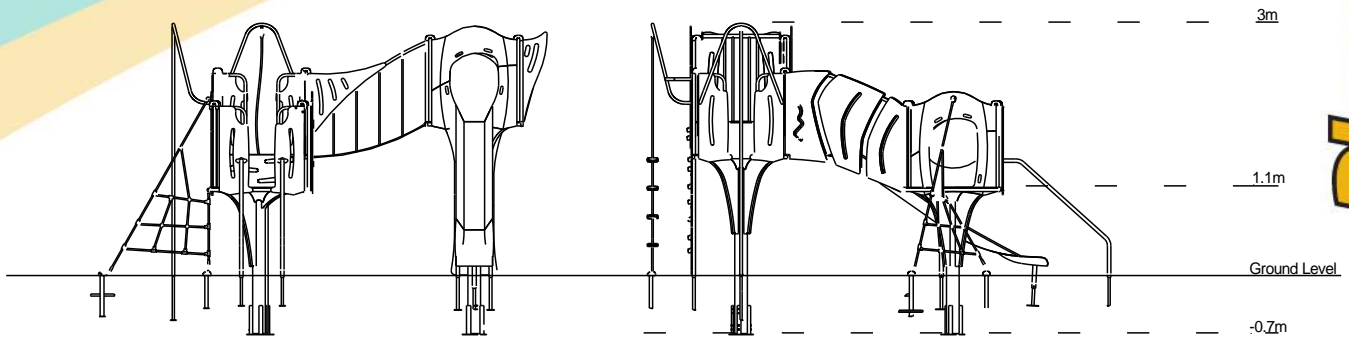
A junior modular tower system comprising of:

- Square Tower (1.9m)
- Square Tower (1.5m)
- Square Tower (1.1m)
- Lookout Tower
- Slide (1.9m)
- Climbing Wall (1.9m)
- Rope Climb (1.5m)
- Fireman's Pole (1.5m)
- Twisted Climbing Net (1.1m)
- Pole Slide (1.1m)
- Inclined Net Bridge
- Inclined Bridge (without net rings)
- Musical Above Play Panel

Code – BC/TUR*2
Age
5-12 years
Materials
Stainless Steel
Compact Grade Laminate (CGL)
Nylon Steel Cored Rope
Various Plastic Mouldings
LLDPE Slide

Technical Information		
Equipment Dimensions		
Length / Width / Height	5.7m x 5.5m x 3.1m	
Surfacing and Area Required		
Recommended Minimum Space L/W/H	9.5m x 9.2m x 5.6m	
Max Gradient of Ground	1 in 50	
Free Height of Fall	1.9m	
Impact Area	56.92m ²	
Synthetic Area (i.e. EPDM / Wet Pour / Synthetic Grass etc.)	57.39m ²	
Loosefill at 250mm (i.e. Bark / Cushionfall / Sand)	17m ³	
GrassLok Tiles	79m ²	
Installation Information	SGF	SF (if different)
Installation Time	2 Persons 23 Hours	
Overall Weight	846kg	
Heaviest Part	44kg	
Largest Part	3.7m x 0.4m x 0.4m	
Longest Part	3.7m	
Concrete Required	0.99m ³	1.54m ³
Certified to ASTM F1487		

[Click here for more information & downloads](#) 



-  Recommended Minimum Space
-  Impact Area
-  Free Space
-  Unit Spacing Boundary

[Click here for more information & downloads](#)

