

# Big City Plus - Turin Plus



**Option A**  
Dark Blue & Orange  
(shown)

**Option B**  
Purple & Yellow

**Option C**  
All Green

**Code – BC/TUR\*1**

**Age**

5-12 years

**Materials**

Stainless Steel

Compact Grade Laminate (CGL)

Nylon Steel Cored Rope

Various Plastic Mouldings

LLDPE Slide

**A junior modular tower system comprising of:**

- Square Tower (1.9m)
- Square Tower (1.5m)
- Square Tower (1.1m)
- Lookout Tower
- Slide (1.9m)
- Climbing Wall (1.9m)
- Rope Climb (1.5m)
- Fireman's Pole (1.5m)
- Twisted Climbing Net (1.1m)
- Pole Slide (1.1m)
- Inclined Net Bridge
- Inclined Bridge (without net rings)
- Musical Above Play Panel

## Technical Information

### Equipment Dimensions

Length / Width / Height **5.7m x 5.5m x 3.1m**

### Surfacing and Area Required

Recommended Minimum Space L/W/H **9.5m x 9.2m x 5.6m**

Max Gradient of Ground **1 in 50**

Free Height of Fall **1.9m**

Impact Area **57.86m<sup>2</sup>**

Synthetic Area  
(i.e. EPDM / Wet Pour / Synthetic Grass etc.) **60.53m<sup>2</sup>**

Loosefill at 250mm  
(i.e. Bark / Cushionfall / Sand) **18m<sup>3</sup>**

GrassLok Tiles **79m<sup>2</sup>**

### Installation Information

SGF

SF (if different)

Installation Time **2 Persons 23 Hours**

Overall Weight **811kg**

Heaviest Part **33kg**

Largest Part **2.4m x 0.9m x 0.6m**

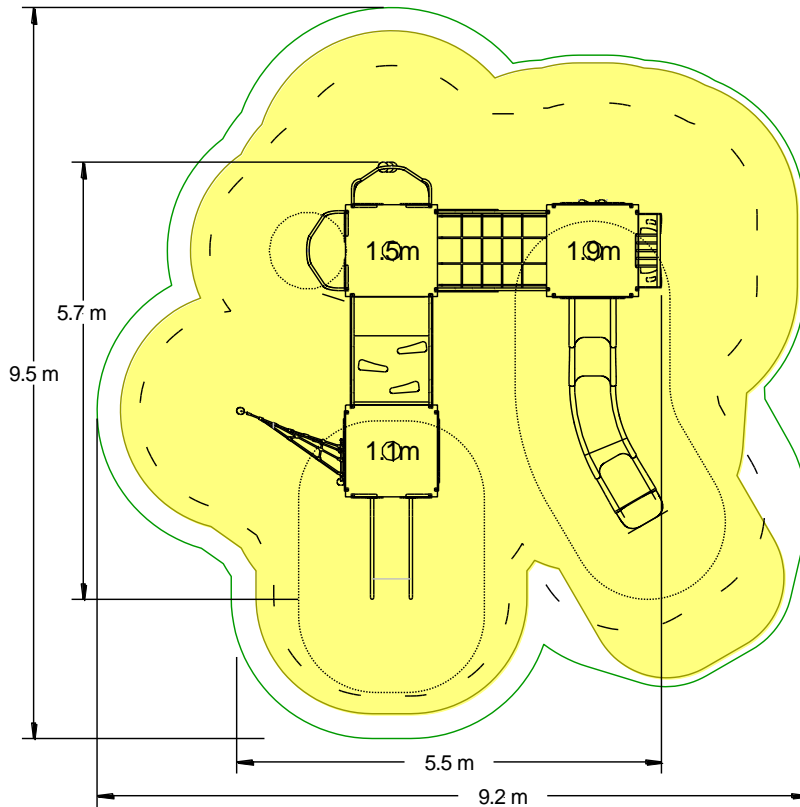
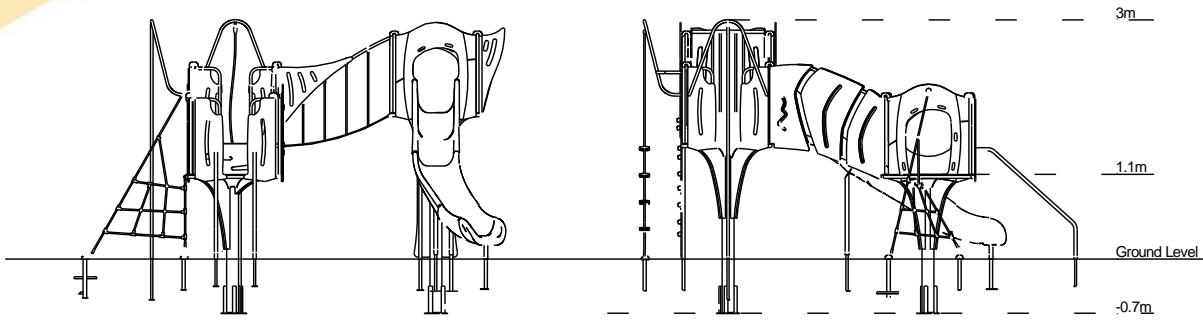
Longest Part **2.4m**

Concrete Required **1.15m<sup>3</sup>** **1.75m<sup>3</sup>**

Certified to ASTM F1487

[Click here for more information & downloads](#)





-  Recommended Minimum Space
-  Impact Area
-  Free Space
-  Unit Spacing Boundary

[Click here for more information & downloads](#)

