

Jukebox – Tribal Plus



 Option A-
Dark Blue/Yellow

 Option B-
Purple/Lime Green

 Option C-
Green
(Shown)

Code – JB/TRB/*1

Age

5-12 years

Materials

Laminated Timber

Compact Grade Laminate (CGL)

Galvanised or Painted Mild Steel

Nylon Steel Cored Rope

LLDPE Tube Slide

Stainless Steel

Various Plastic Mouldings

A junior tower system comprising of:

- Square Tower (1.5m)
- Angled Tower (1.5m)
- Triangular Tower (1.5m)
- Tube Slide (1.5m)
- Pole Slide (1.5m)
- Climbing Wall (1.5m)
- Rope Ramp (1.5m)
- Twisted Scramble Net (1.5m)
- Curved Bridge
- Net Tunnel
- Climber with Fireman's Pole (1.5m)
- Hangabout Seat
- Bubble Play Panel
- Ball Blast (2 player) Play Panel

Technical Information

Equipment Dimensions

Length / Width / Height **8.2m x 8.0m x 3.4m**

Surfacing and Area Required

Recommended Minimum Space
L/W/H **11.6m x 11.0m x 4.6m**

Max Gradient of Ground **1 in 50**

Free Height of Fall **1.9m**

Impact Area **78.31m²**

Synthetic Area
(i.e. EPDM / Wet Pour / Synthetic Grass etc.) **78.24m²**

Loosefill at 250mm
(i.e. Bark / Cushionfall / Sand) **22m³**

GrassLok Tiles **94m²**

Installation Information

Steel Ground Fixed

Surface Fixed
(if different)

Installation Time **2 Person(s) 17 Hour(s)**

Overall Weight **1229kg**

Heaviest Part **40kg**

Largest Part **3.4m x 1.0m x 1.7m**

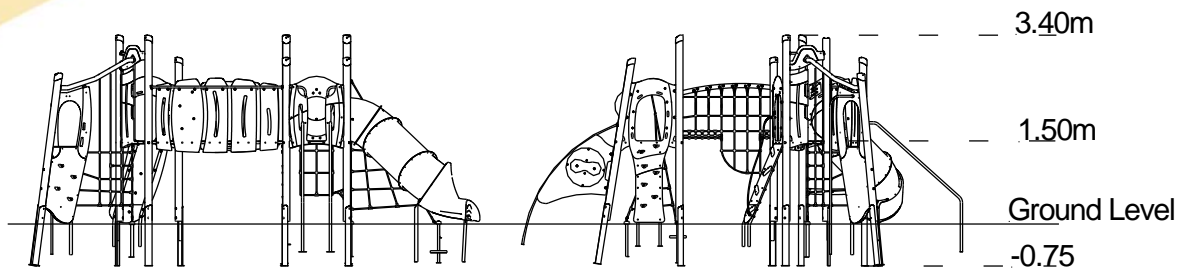
Longest Part **3.3m**

Concrete Required **1.4m³**

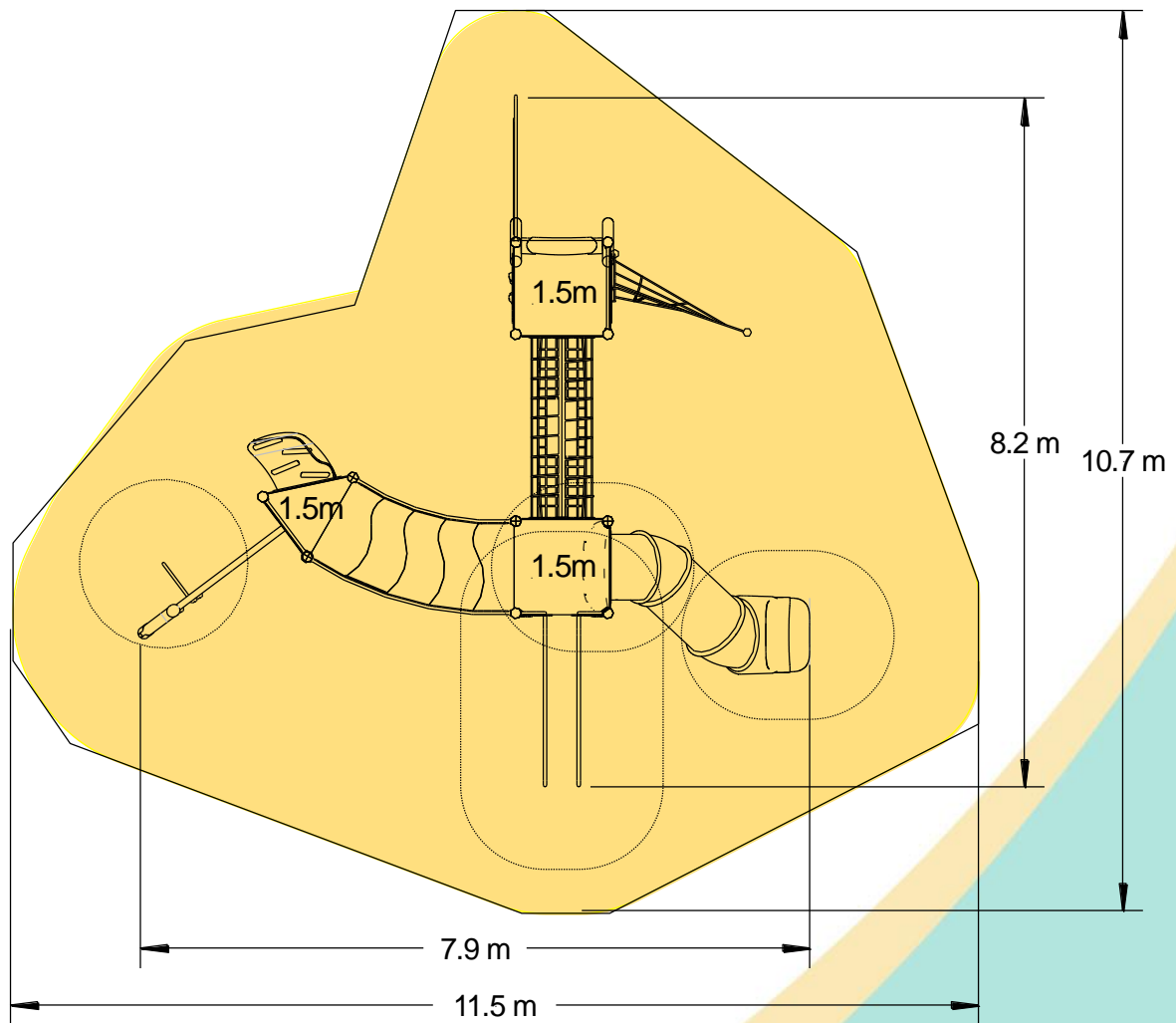
Certified to EN 1176

[Click here for more information & downloads](#)





-  Impact Area
-  Free Space
-  Synthetic Area



[Click here for more information & downloads](#)

