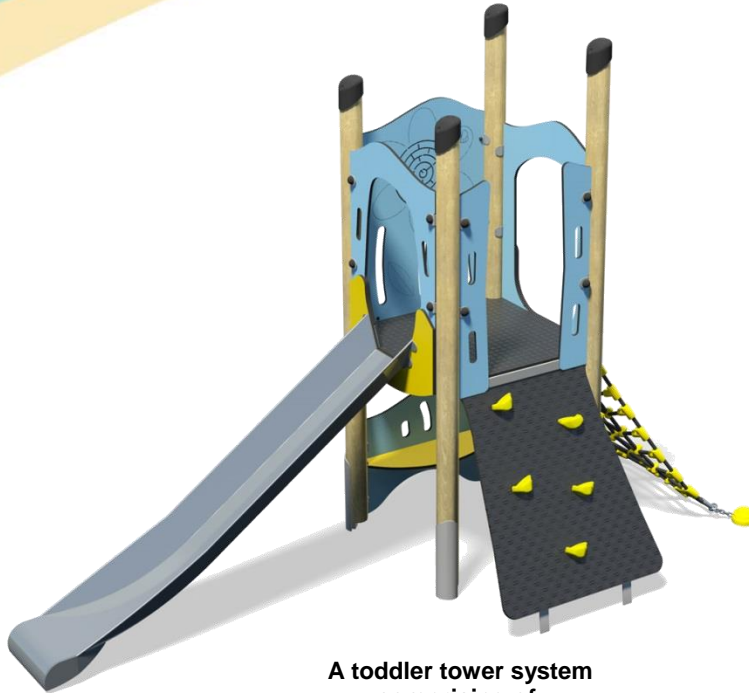


Little Hamlets – Tottlebank Plus



-  Option A-
Light Blue/Yellow
(Shown)
-  Option B-
Purple/Yellow
-  Option C-
Green

A toddler tower system comprising of:

- Square Tower (0.9m)
- Slide (0.9m)
- Ramp Climber (0.9m)
- Scramble Net (0.9m)
- Pod Seating
- Bench Seat
- Finger Maze Play Panel

Code – LTH/TOT/*2

Age
2-5 years
Materials
Laminated Timber
Compact Grade Laminate (CGL)
Galvanised or Painted Mild Steel
Nylon Steel Cored Rope
Stainless Steel Slide
Stainless Steel
Various Plastic Mouldings

Technical Information

Equipment Dimensions

Length / Width / Height **3.1m x 1.5m x 2.2m**

Surfacing and Area Required

Recommended Minimum Space
L/W/H **6.7m x 5.1m x 3.4m**

Max Gradient of Ground **1 in 50**

Free Height of Fall **0.9m**

Impact Area **19.05m²**

Synthetic Area
(i.e. EPDM / Wetpour / Synthetic Grass etc.) **15.03m²**

Loosefill at 250mm
(i.e. Bark / Cushionfall / Sand) **8m³**

1m x 1m Grassmats **26m²**

Installation Information

Steel Ground Fixed

Surface Fixed
(if different)

Installation Time **2 Person(s) 6 Hour(s)**

Overall Weight **143kg**

Heaviest Part **16kg**

Largest Part **1.9m x 0.4m x 0.2m**

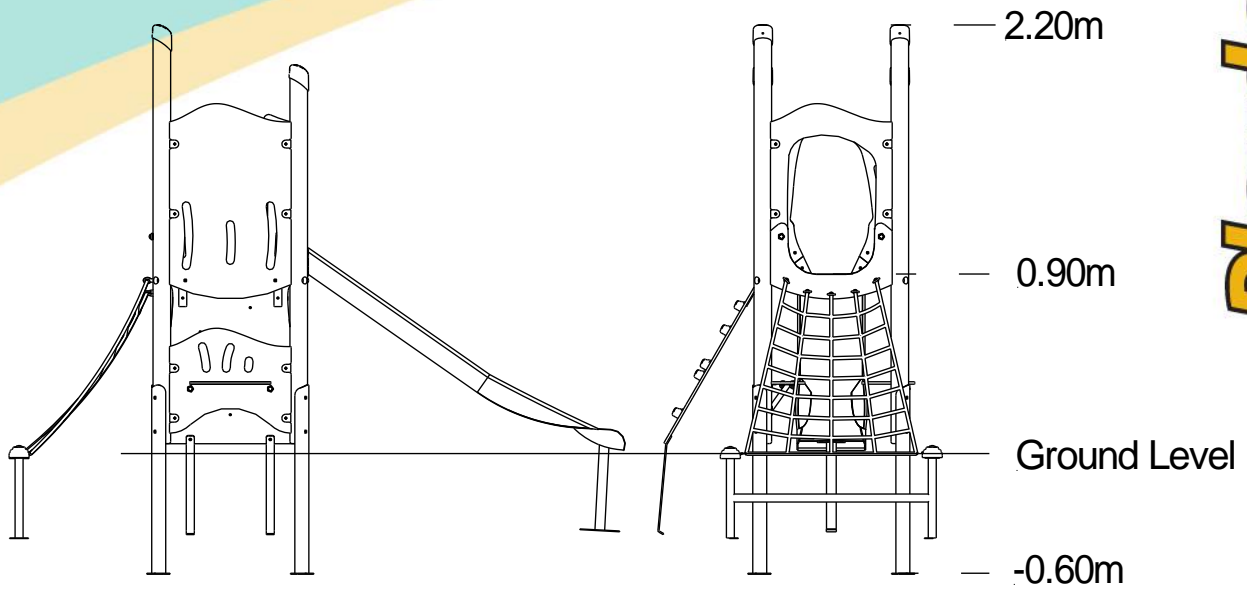
Longest Part **1.9m**

Concrete Required **0.5m³**

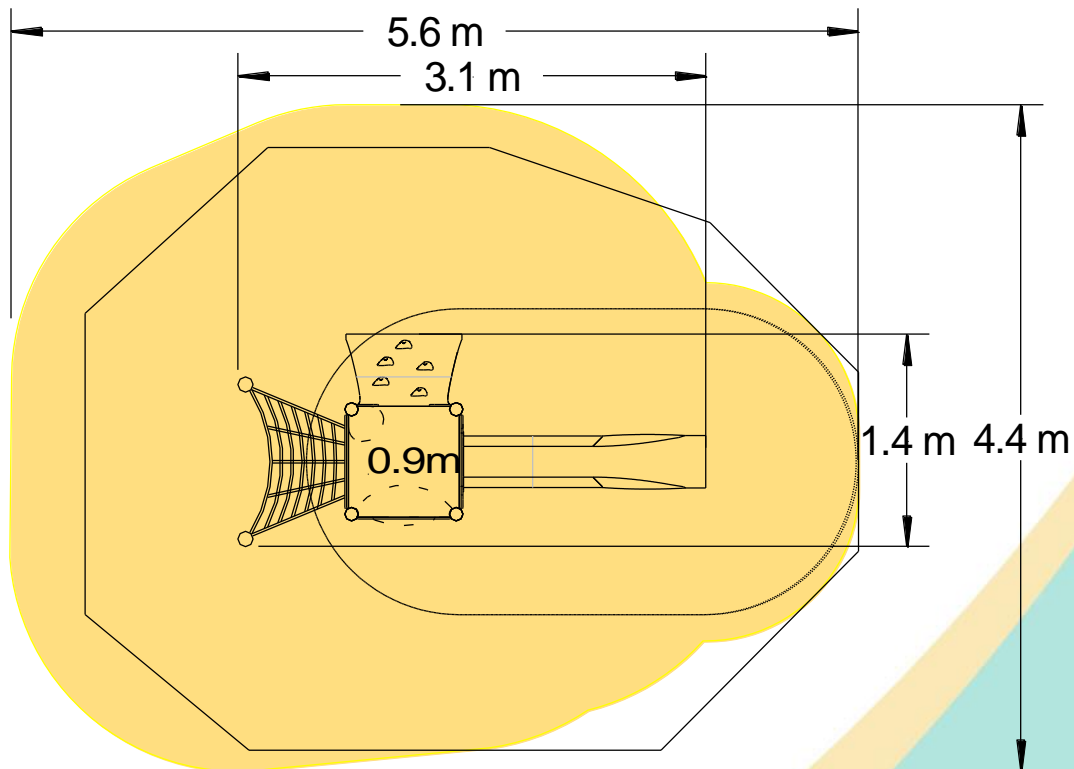
Certified to EN 1176

[Click here for more information & downloads](#)





-  Impact Area
-  Free Space
-  Synthetic Area



[Click here for more information & downloads](#)

