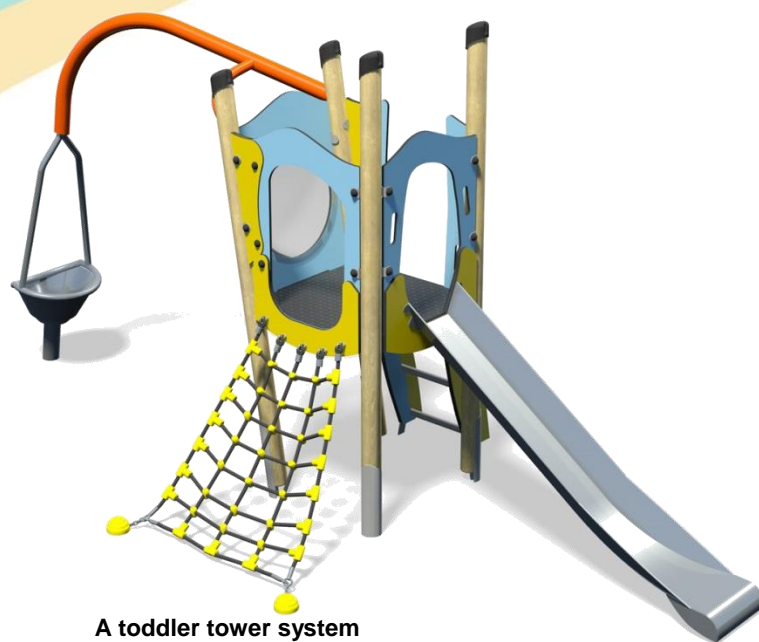


Little Hamlets –Tiddleywink Plus



A toddler tower system comprising of:

- Angled Tower (0.9m)
- Slide (0.55m)
- Scramble Net (0.9m)
- Ladder (0.9m)
- Spinning Bowl
- Bubble Play Panel

	Option A- Light Blue/Yellow (Shown)
	Option B- Purple/Yellow
	Option C- Green

Code – LTH/TID/*2

Age
2-5 years
Materials
Laminated Timber
Compact Grade Laminate (CGL)
Galvanised or Painted Mild Steel
Nylon Steel Cored Rope
Stainless Steel Slide
Stainless Steel
Various Plastic Mouldings

Technical Information

Equipment Dimensions

Length / Width / Height **4.4m x 1.8m x 2.2m**

Surfacing and Area Required

Recommended Minimum Space
L/W/H **8.0m x 5.5m x 3.4m**

Max Gradient of Ground **1 in 50**

Free Height of Fall **0.9m**

Impact Area **24.74m²**

Synthetic Area
(i.e. EPDM / Wetpour / Synthetic Grass etc.) **22.97m²**

Loosefill at 250mm
(i.e. Bark / Cushionfall / Sand) **9m³**

1m x 1m Grassmats **32m²**

Installation Information

Steel Ground Fixed

Surface Fixed
(if different)

Installation Time **2 Person(s) 6 Hour(s)**

Overall Weight **185kg**

Heaviest Part **16kg**

Largest Part **1.9m x 0.4m x 0.2m**

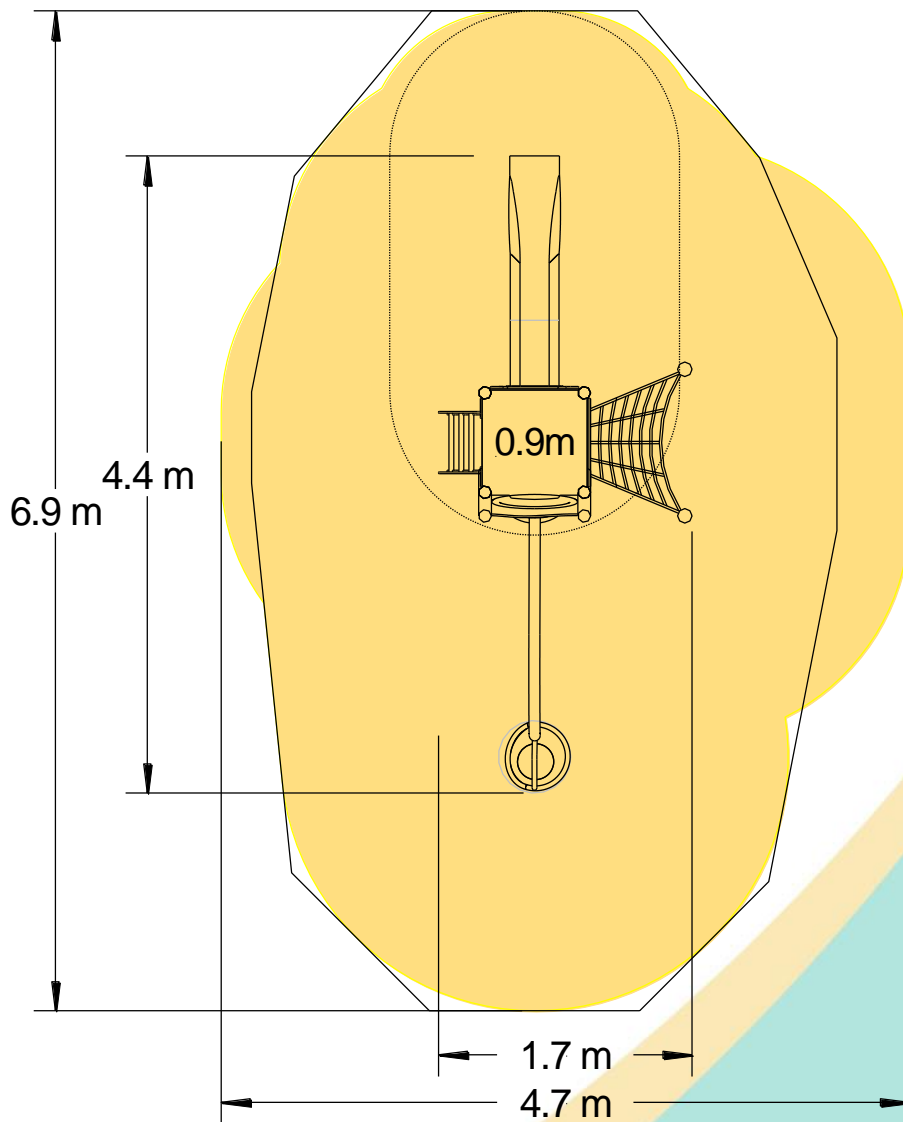
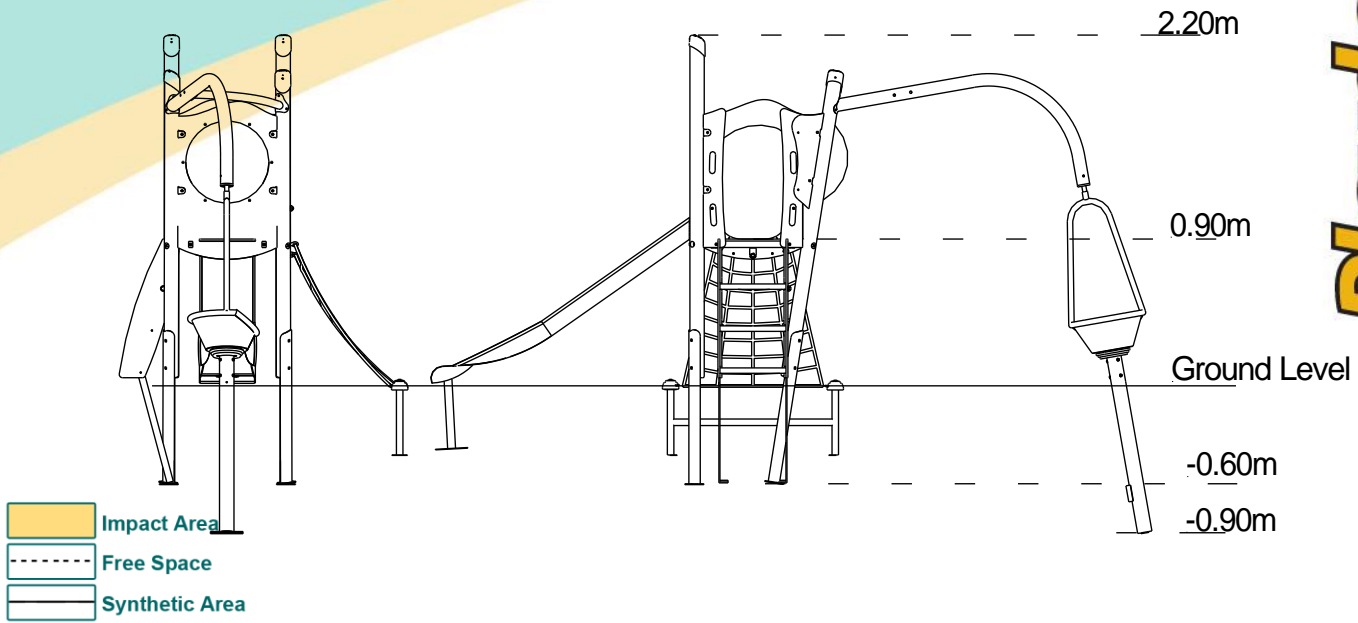
Longest Part **1.9m**

Concrete Required **0.5m³**

Certified to EN 1176

[Click here for more information & downloads](#)





[Click here for more information & downloads](#)

