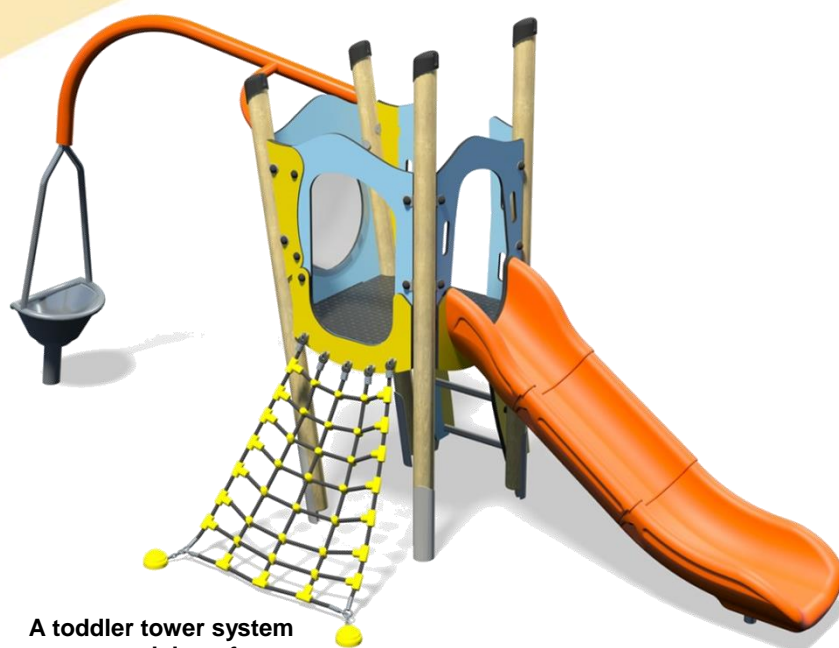


## Little Hamlets –Tiddleywink Plus



A toddler tower system comprising of:

- Angled Tower (0.9m)
- Slide (0.55m)
- Scramble Net (0.9m)
- Ladder (0.9m)
- Spinning Bowl
- Bubble Play Panel

-  Option A-  
Light Blue/Yellow  
(Shown)
-  Option B-  
Purple/Yellow
-  Option C-  
Green

**Code – LTH/TID/\*1**

### Age

2-5 years

### Materials

Laminated Timber

Compact Grade Laminate (CGL)

Galvanised or Painted Mild Steel

Nylon Steel Cored Rope

LLDPE Slide

Stainless Steel

Various Plastic Mouldings

## Technical Information

### Equipment Dimensions

Length / Width / Height **4.4m x 1.8m x 2.2m**

### Surfacing and Area Required

Recommended Minimum Space  
L/W/H **8.0m x 5.5m x 3.4m**

Max Gradient of Ground **1 in 50**

Free Height of Fall **0.9m**

Impact Area **24.70m<sup>2</sup>**

Synthetic Area  
(i.e. EPDM / Wetpour / Synthetic Grass etc.) **22.95m<sup>2</sup>**

Loosefill at 250mm  
(i.e. Bark / Cushionfall / Sand) **9m<sup>3</sup>**

1m x 1m Grassmats **32m<sup>2</sup>**

### Installation Information

Steel Ground Fixed

Surface Fixed  
(if different)

Installation Time **2 Person(s) 6 Hour(s)**

Overall Weight **188kg**

Heaviest Part **20kg**

Largest Part **1.8m x 0.5m x 0.5m**

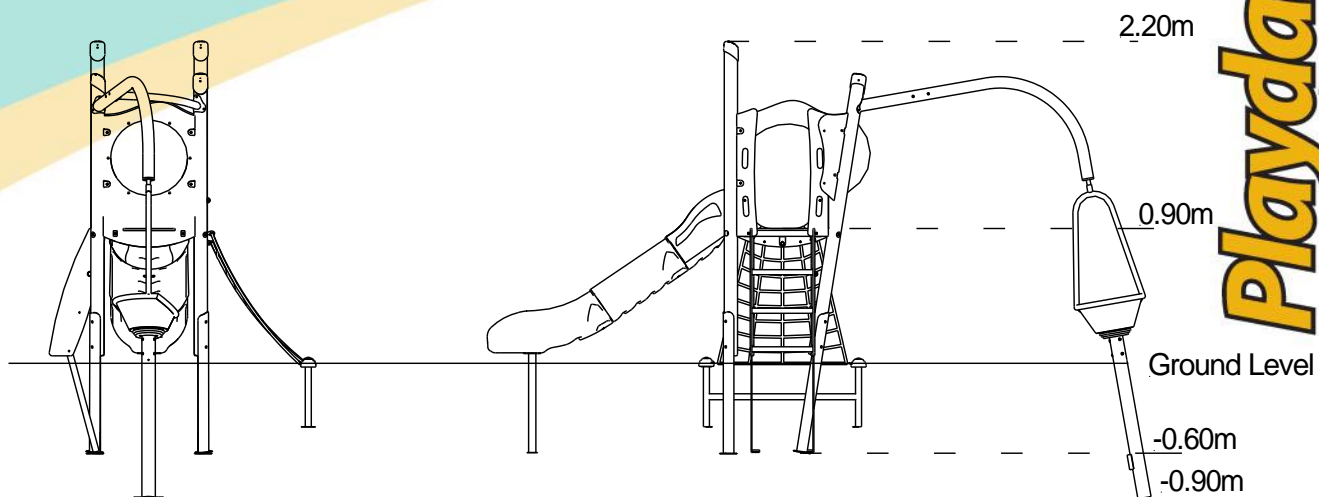
Longest Part **1.8m**

Concrete Required **0.5m<sup>3</sup>**

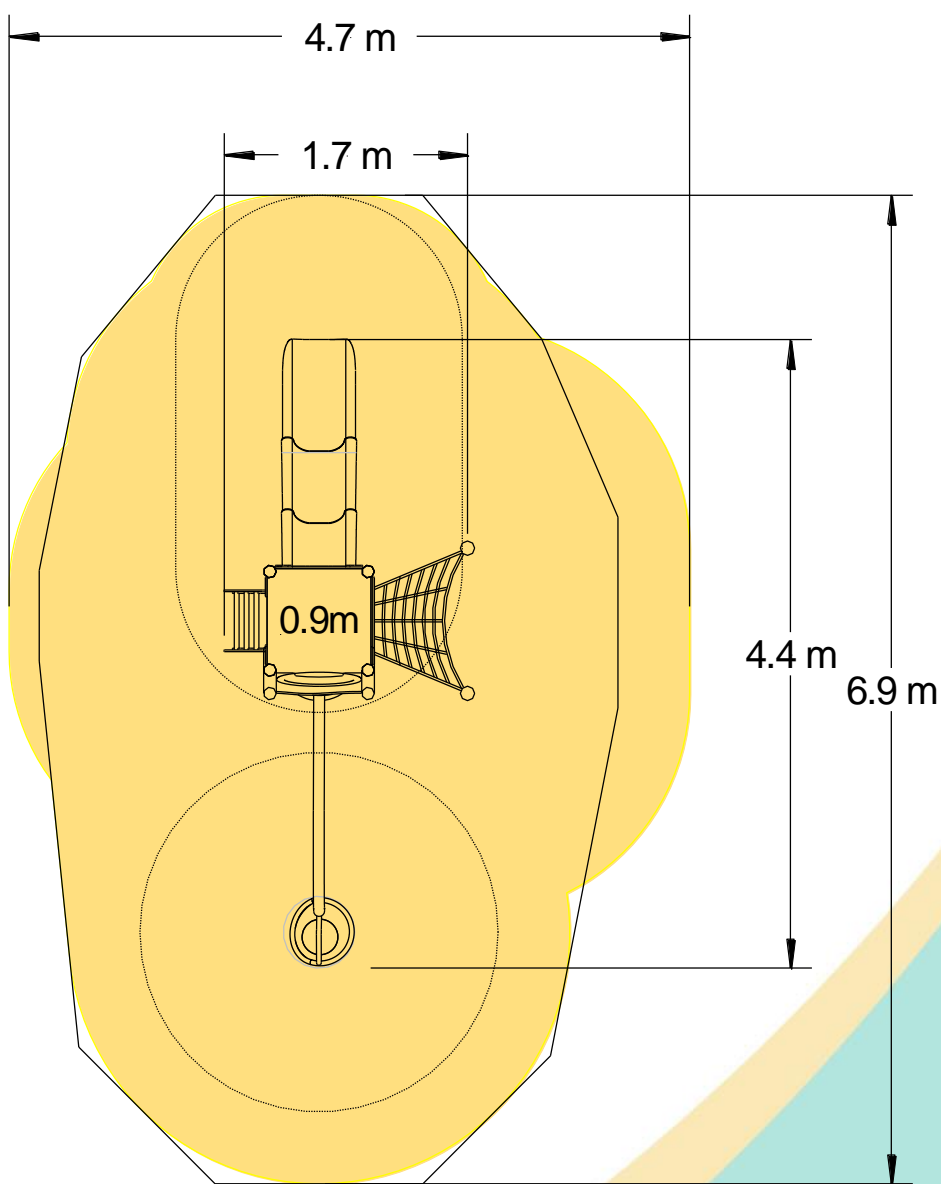
Certified to EN 1176

[Click here for more information & downloads](#)





-  Impact Area
-  Free Space
-  Synthetic Area



[Click here for more information & downloads](#)

