

Big City Plus - St Louis Plus



Option A
Dark Blue & Orange
(shown)

Option B
Purple & Yellow

Option C
All Green

Code – BC/STL*1

Age

5-12 years

Materials

Stainless Steel

Compact Grade Laminate (CGL)

Nylon Steel Cored Rope

Various Plastic Mouldings

LLDPE Slide

A junior modular tower system comprising of:

- Sky Tower
- Side Ladder (1.9m)
- Climbing Wall (1.9m)
- Ball Blast Above Play Panel
- Puzzle Ball Below Play Panel
- Electronic Reaction Play Panel

Technical Information

Equipment Dimensions

Length / Width / Height **6.5m x 2.9m x 4.2m**

Surfacing and Area Required

Recommended Minimum Space L/W/H **9.6m x 7.4m x 5.4m**

Max Gradient of Ground **1 in 50**

Free Height of Fall **2.8m**

Impact Area **47.53m²**

Synthetic Area
(i.e. EPDM / Wet Pour / Synthetic Grass etc.) **49.40m²**

Loosefill at 350mm
(i.e. Bark / Cushionfall / Sand) **19m³**

GrassLok Tiles **65m²**

Installation Information

SGF

SF (if different)

Installation Time **4 Persons 20 Hours**

Overall Weight **876kg**

Heaviest Part **186kg**

Largest Part **3.5m x 2.2m x 2.2m**

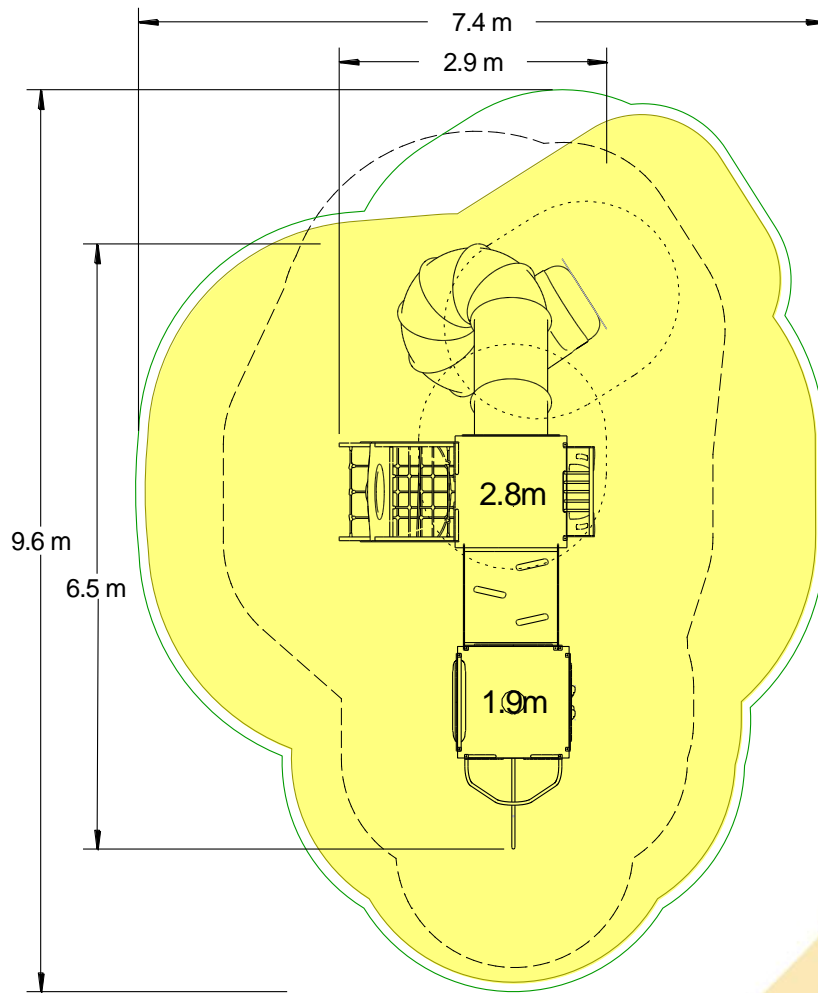
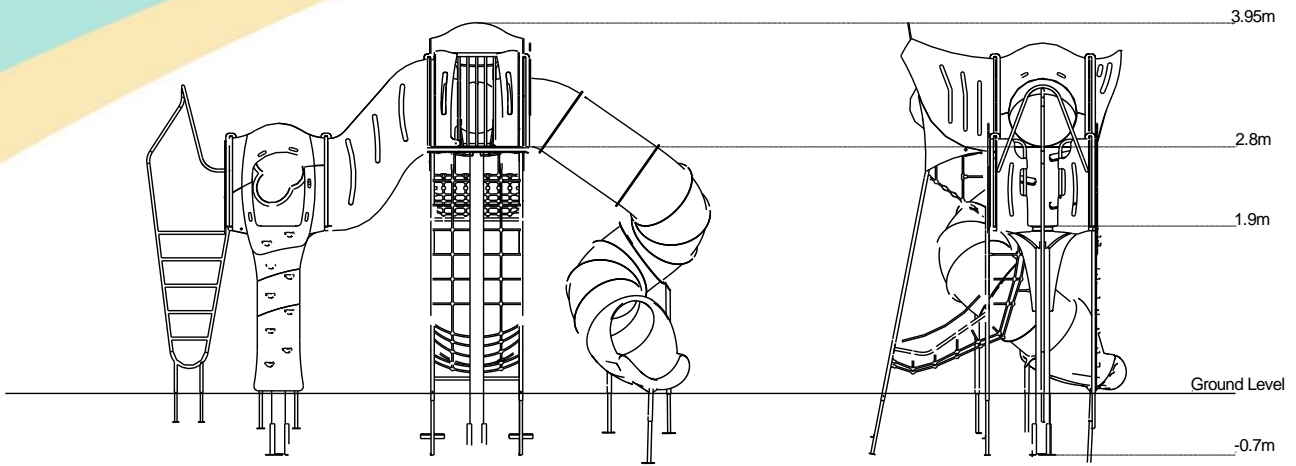
Longest Part **3.5m**

Concrete Required **1.63Xm³** **1.44m³**

Certified to ASTM F1487

[Click here for more information & downloads](#)





-  Recommended Minimum Space
-  Impact Area
-  Free Space
-  Unit Spacing Boundary

[Click here for more information & downloads](#)

