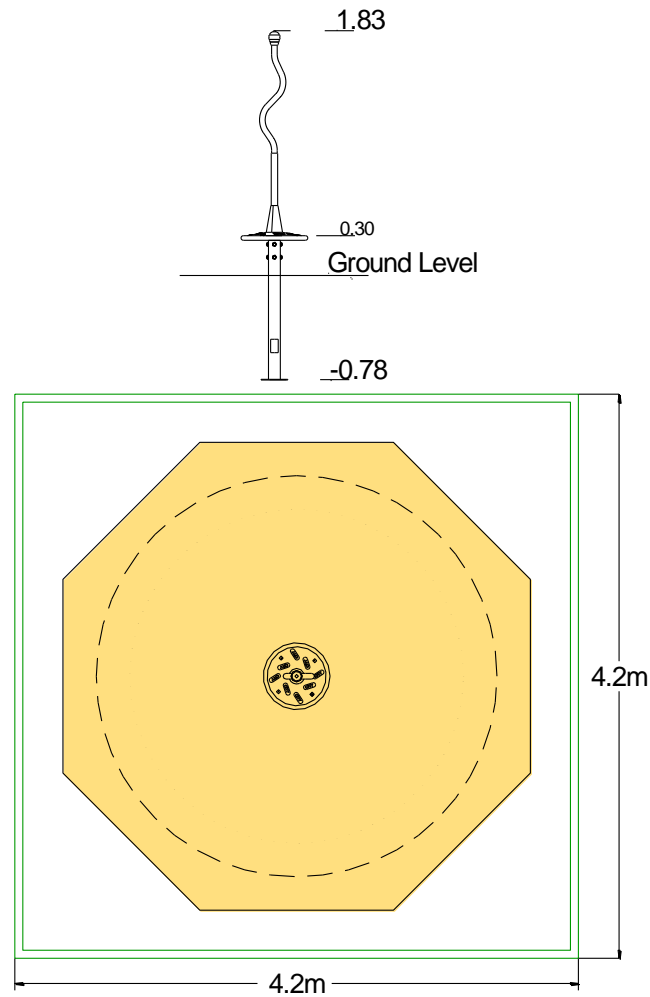



# Movers – Spinner



<b>Technical Information</b>	
<b>Equipment Dimensions</b>	
Length / Width / Height	0.5m x 0.5m x 1.85m
<b>Surfacing and Area Required</b>	
Minimum Space Required L/W/H	4.2m x 4.2m x 3.35m
Max Gradient of Ground	1 in 50
Free Height of Fall	0.4m
Impact Area	10.15m <sup>2</sup>
Loosefill at 150mm Bark / Cushionfall / Sand	3m <sup>3</sup>
1m x 1m Rubber Tiles	9
<b>Installation Information</b>	
overall weight	40kg
heaviest part	40kg
largest part	0.5m x 0.5m x 2.7m
longest part	2.7m
concrete required	0.1m <sup>3</sup>
 KITEMARKED TO BS EN 1176	