

Jukebox – Shimmy Plus



A Junior modular tower system comprising of:

- Square Tower (1.5m)
- Slide (1.5m)
- Rope Ramp (1.5m)
- Twisted Scramble Net (1.5m)
- Fireman's Pole (1.5m)
- Hangabout Seat



Option A-
Dark Blue/Yellow



Option B-
Purple/Lime Green
(Shown)



Option C-
Green

Code – JB/SHM/*2

| |
|----------------------------------|
| Age |
| 5-12 years |
| Materials |
| Laminated Timber |
| Compact Grade Laminate (CGL) |
| Galvanised or Painted Mild Steel |
| Nylon Steel Cored Rope |
| Stainless Steel Slide |
| Stainless Steel |
| Sawn Timber |
| Various Plastic Mouldings |

Technical Information

Equipment Dimensions

Length / Width / Height **5.5m x 2.4m x 3.4 m**

Surfacing and Area Required

Recommended Minimum Space
L/W/H **9.3m x 6.3m x 4.6m**

Max Gradient of Ground **1 in 50**

Free Height of Fall **1.5m**

Impact Area **31.95m²**

Synthetic Area
(i.e. EPDM / Wetpour / Synthetic Grass etc.) **29.65m²**

Loosefill at 250mm
(i.e. Bark / Cushionfall / Sand) **11m³**

Grasslok Tiles **41m²**

Installation Information

Steel Ground Fixed

Surface Fixed
(if different)

Installation Time **2 Person(s) 7 Hour(s)**

Overall Weight **377kg**

Heaviest Part **40kg**

Largest Part **3.1m x 0.5m x 0.5m**

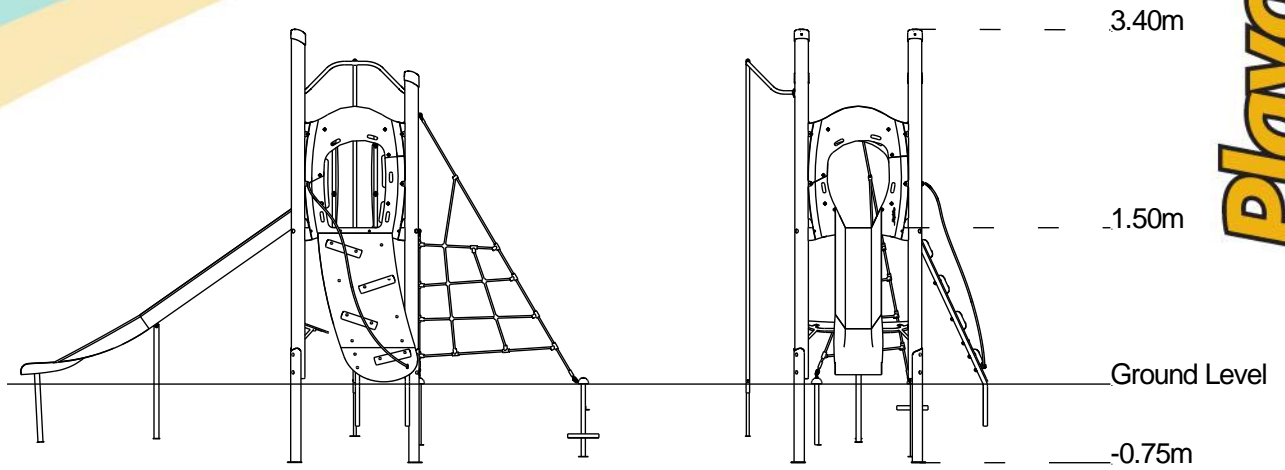
Longest Part **3.3m**

Concrete Required **0.6m³**

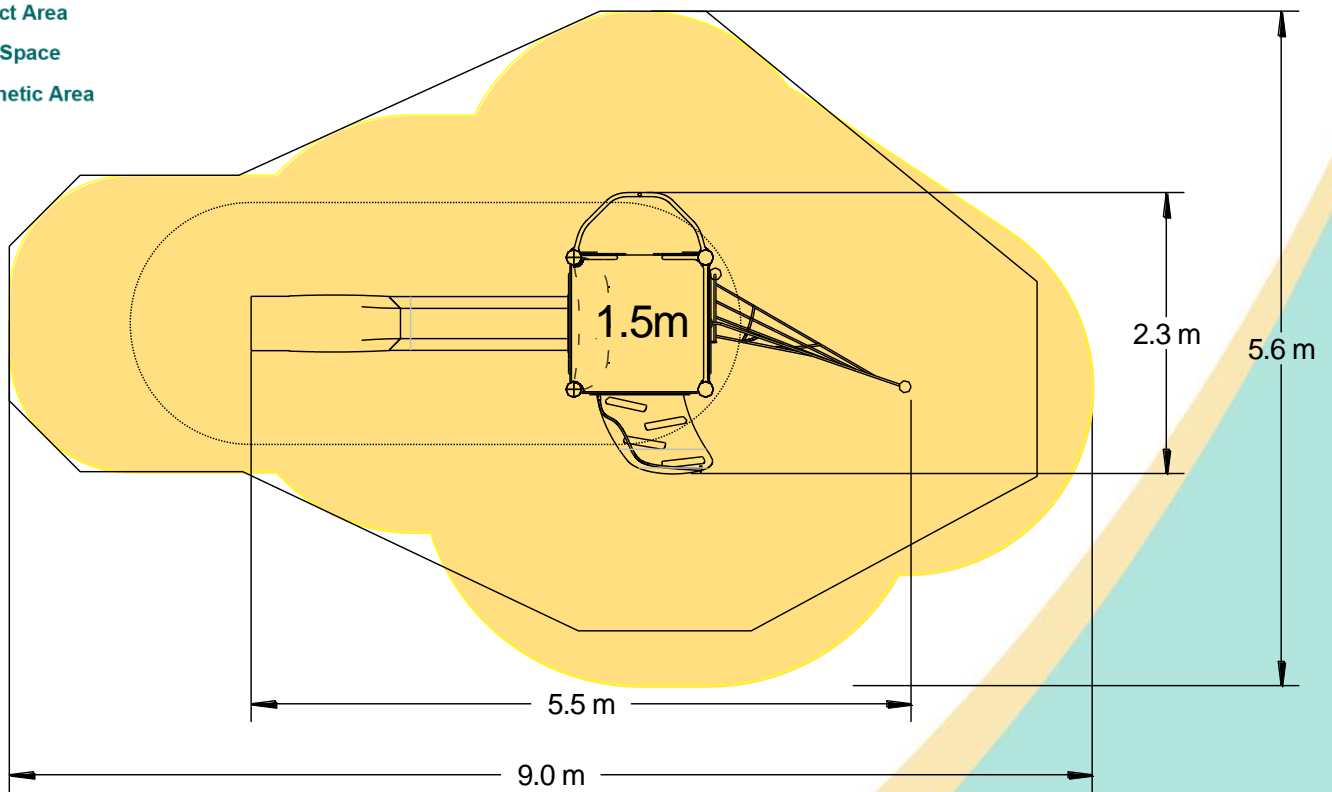
Certified to EN 1176

[Click here for more information & downloads](#)





-  Impact Area
-  Free Space
-  Synthetic Area



[Click here for more information & downloads](#)

