




## Jukebox- Shimmy Plus



-  Option A-  
Dark Blue/Yellow
-  Option B-  
Purple/Lime Green  
(Shown)
-  Option C-  
Green

**Code – JB/SHM/\*1**

<b>Age</b>
5-12 years
<b>Materials</b>
Laminated Timber
Compact Grade Laminate (CGL)
Galvanised or Painted Mild Steel
Nylon Steel Cored Rope
Sawn Timber
Stainless Steel
Various Plastic Mouldings

### A Junior modular tower system comprising of:

- Square Tower (1.5m)
- Slide (1.5m)
- Rope Ramp (1.5m)
- Twisted Scramble Net (1.5m)
- Fireman's Pole (1.5m)
- Hangabout Seat

### Technical Information

#### Equipment Dimensions

Length / Width / Height **5.3m x 2.4m x 3.4m**

#### Surfacing and Area Required

Recommended Minimum Space  
L/W/H **9.1m x 6.3m x 4.6m**

Max Gradient of Ground **1 in 50**

Free Height of Fall **1.5m**

Impact Area **32.07m<sup>2</sup>**

Synthetic Area  
(i.e. EPDM / Wetpour / Synthetic Grass etc.) **29.79m<sup>2</sup>**

Loosefill at 250mm  
(i.e. Bark / Cushionfall / Sand) **11m<sup>3</sup>**

Grasslok Tiles **41m<sup>2</sup>**

**Installation Information** **Steel Ground Fixed** **Surface Fixed**  
(if different)

Installation Time **2 Person(s) 8 Hour(s)**

Overall Weight **385kg**

Heaviest Part **40kg**

Largest Part **3.4m x 1.0m x 1.7m**

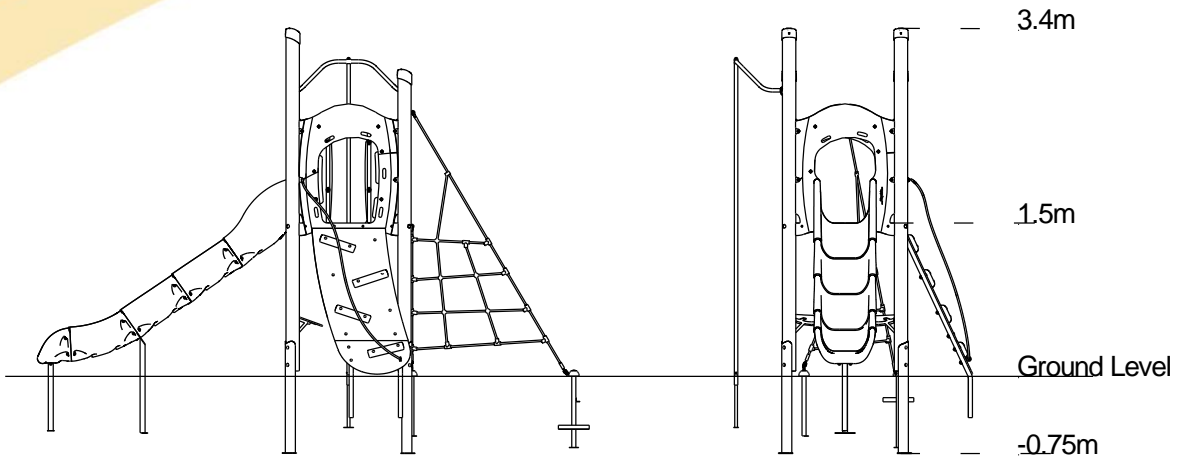
Longest Part **3.4m**

Concrete Required **0.6m<sup>3</sup>**

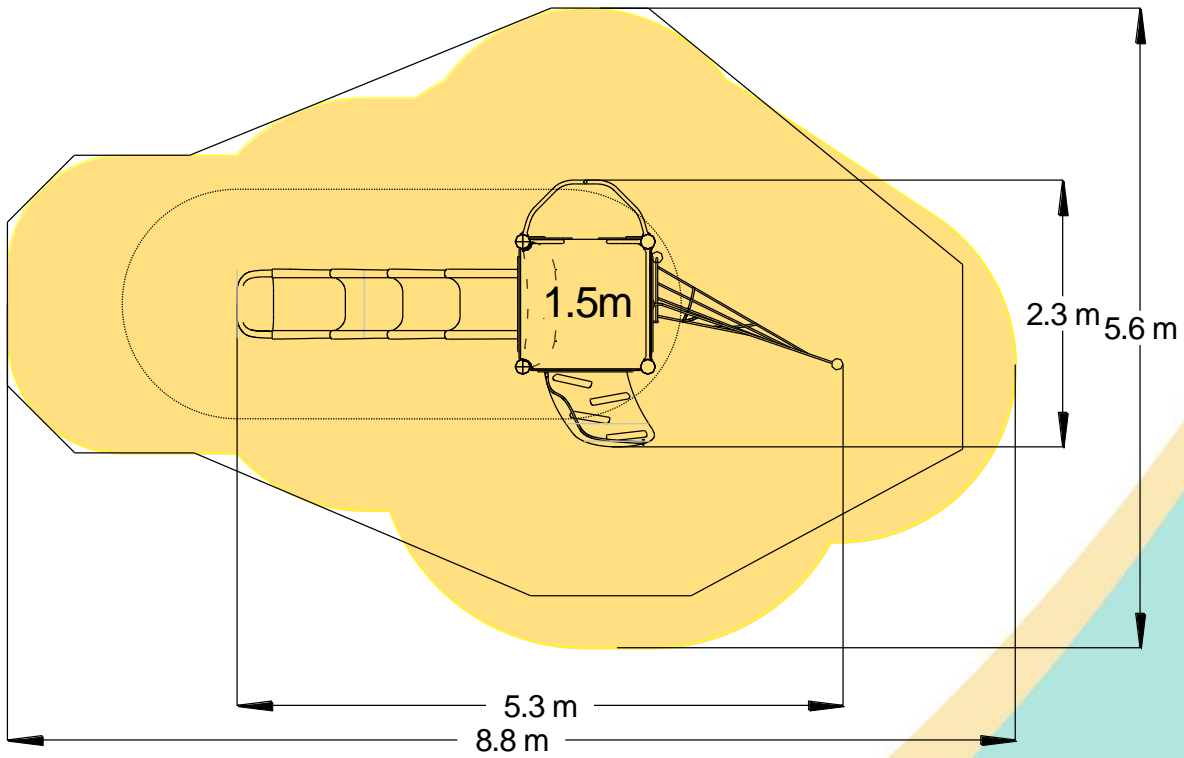
Certified to EN 1176

[Click here for more information & downloads](#)





-  Impact Area
-  Free Space
-  Synthetic Area



[Click here for more information & downloads](#)

