

Big City Plus - Salt Lake City Plus



-  **Option A**
Dark Blue & Orange
(shown)
-  **Option B**
Purple & Yellow
-  **Option C**
All Green

Code – BC/SLC*1

Age

5-12 years

Materials

Stainless Steel

Compact Grade Laminate (CGL)

Nylon Steel Cored Rope

Various Plastic Mouldings

LLDPE Slide

A junior modular tower system comprising of:

- Square Tower (1.5m)
- Slide (1.5m)
- Fireman's Pole (1.5m)
- Climbing Wall (1.5m)
- Rope Climb (1.5m)

Technical Information

Equipment Dimensions

Length / Width / Height **3.8m x 2.3m x 3.1m**

Surfacing and Area Required

Recommended Minimum Space
L/W/H **7.7m x 6.1m x 4.3m**

Max Gradient of Ground **1 in 50**

Free Height of Fall **1.5m**

Impact Area **26.58m²**

Synthetic Area
(i.e. EPDM / Wet Pour / Synthetic Grass etc.) **27.69m²**

Loosefill at 250mm
(i.e. Bark / Cushionfall / Sand) **9m³**

GrassLok Tiles **39m²**

Installation Information

SGF

SF (if different)

Installation Time **2 Persons 9 Hours**

Overall Weight **2999kg**

Heaviest Part **40kg**

Largest Part **3.Xm x 0.6m x 0.6m**

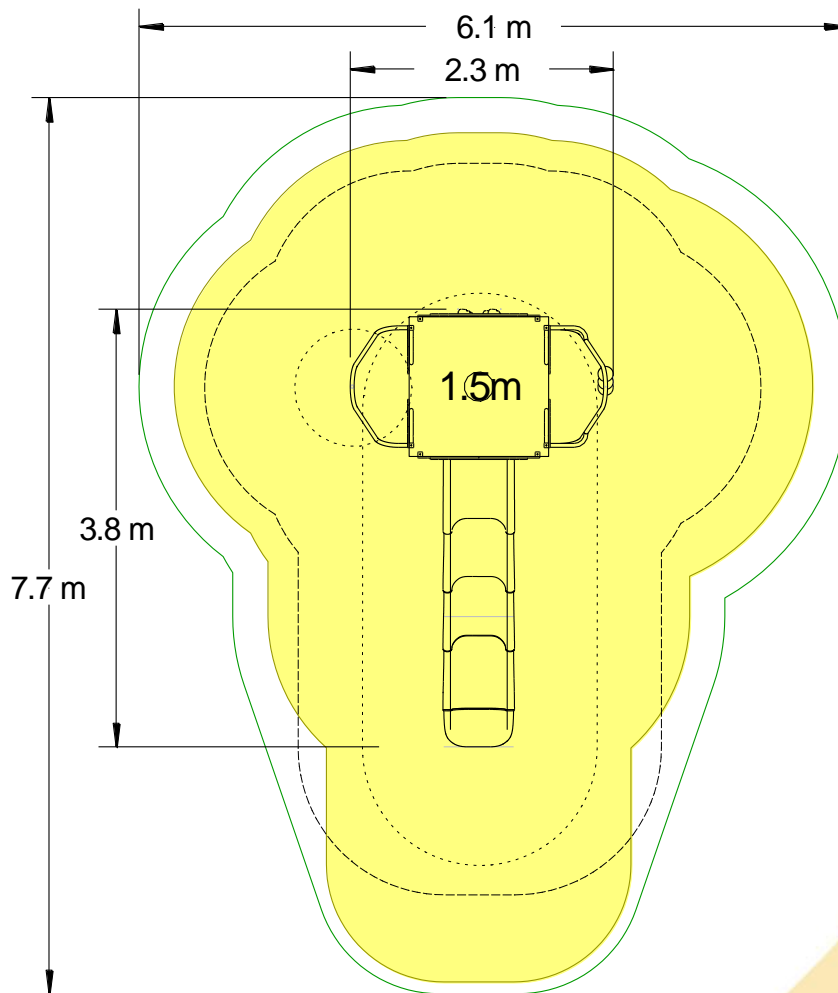
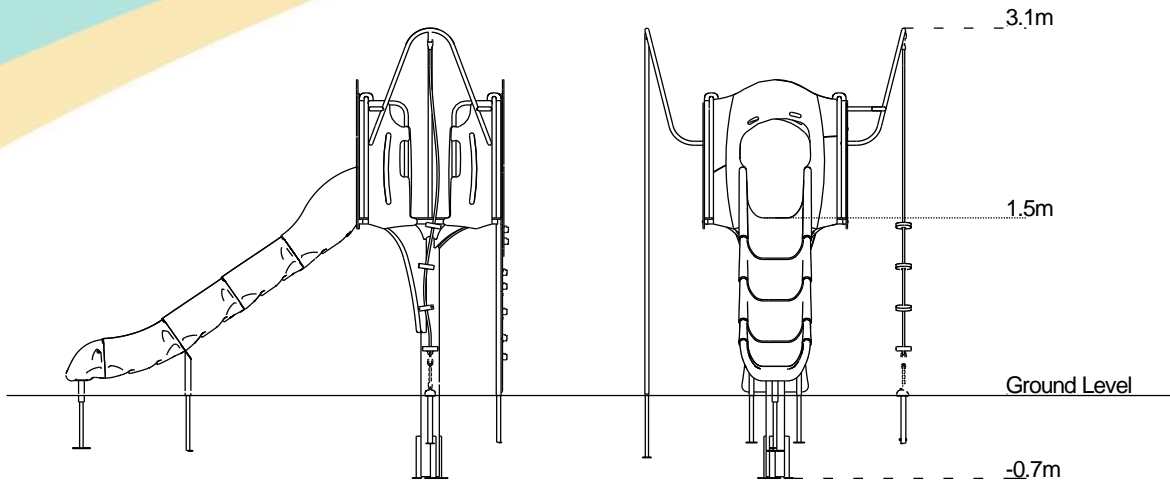
Longest Part **3.0m**

Concrete Required **0.34m³** **0.52m³**

Certified to ASTM F1487

[Click here for more information & downloads](#)





-  Recommended Minimum Space
-  Impact Area
-  Free Space
-  Unit Spacing Boundary

[Click here for more information & downloads](#)

