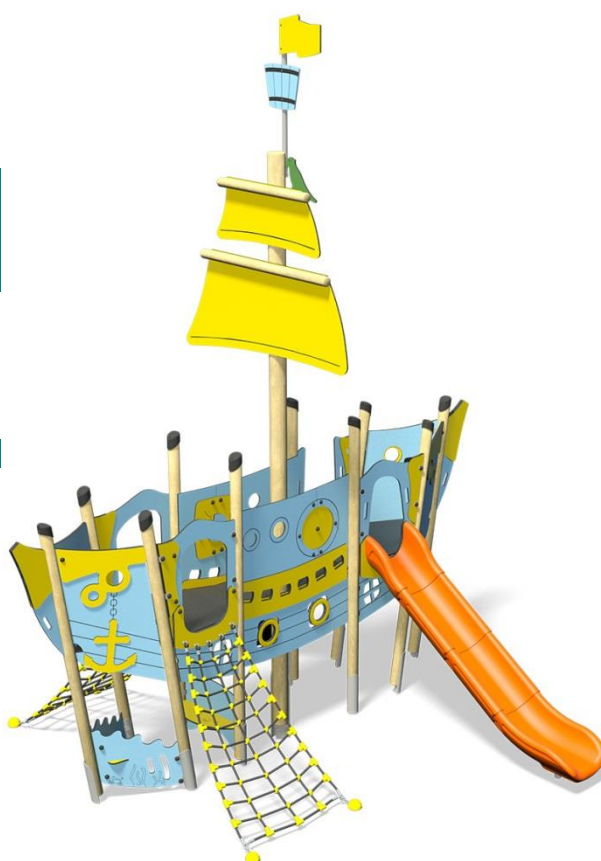


Little Hamlets – Play Galleon

Code – LTH/PLG/*1
Age
2-5 years
Materials
Laminated Timber
Compact Grade Laminate (CGL)
Galvanised or Painted Mild Steel
Nylon Steel Cored Rope
Plastic Slide
Various Plastic Mouldings

-  **Option A-
Light Blue/Ye**
-  **Option B-
Purple/Yello
(Shown)**
-  **Option C-
Green**



A toddler tower system comprising of:

- 2 x Angled Tower (1.25m)
- 2 x Triangular Lookout Tower (1.25m)
- Bridge (1.25m)
- Slide (1.25m)
- Mast
- Ramp Climber (1.25m)
- 2 x Scramble Net (1.25m)
- Playhouse
- Steering Wheel

Technical Information

Equipment Dimensions

Length / Width / Height **4.7m x 4.0m x 5.5m**

Surfacing and Area Required

Recommended Minimum Space **7.8m x 7.6m x 6.7m**

L/W/H

Max Gradient of Ground **1 in 50**

Free Height of Fall **1.25m**

Impact Area **35.45m²**

Synthetic Area **31.29m²**

(i.e. EPDM / Wetpour / Synthetic Grass etc.)

Loosefill at 250mm **12m³**

(i.e. Bark / Cushionfall / Sand)

1m x 1m Grassmats **46m²**

Installation Information

Installation Time **2 Person(s) 14 Hour(s)**

Overall Weight **568kg**

Heaviest Part **47kg**

Largest Part **4.5m x 0.13m x 0.13m**

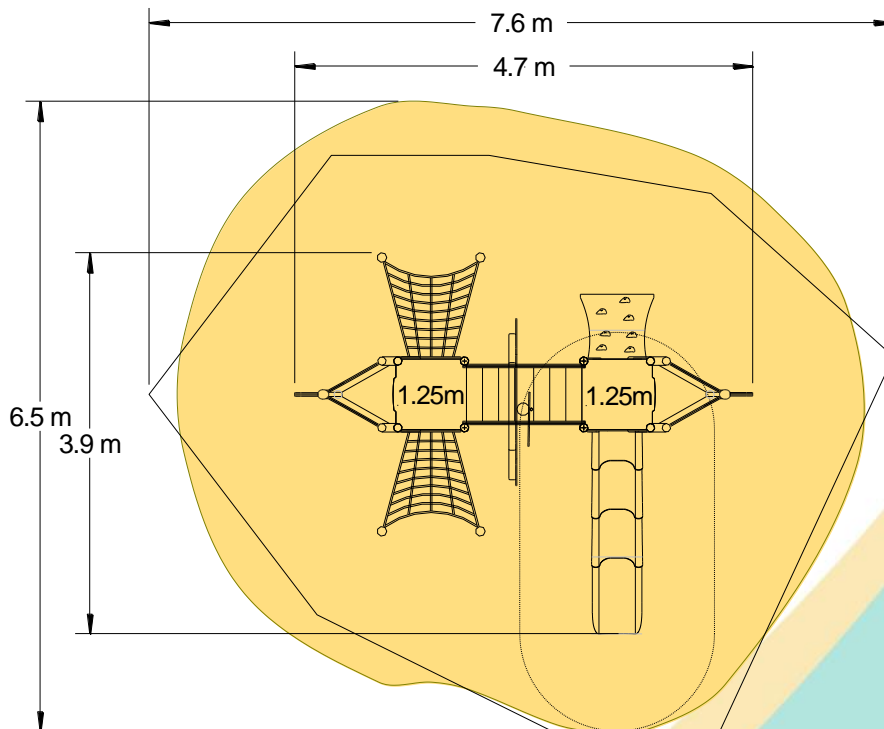
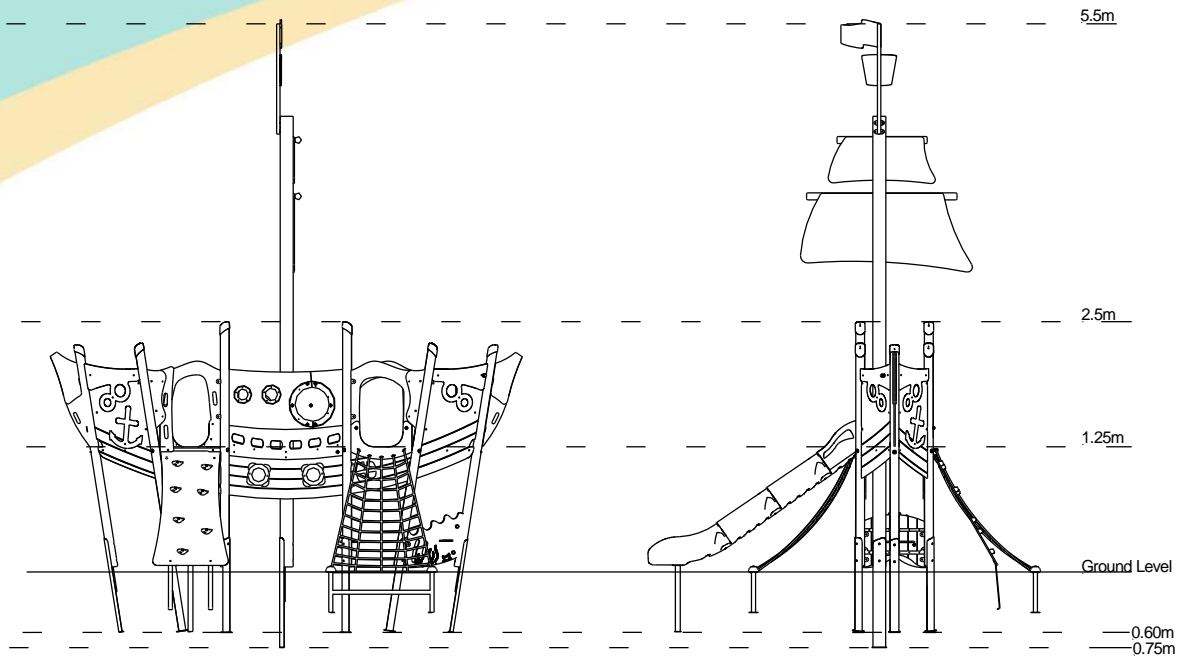
Longest Part **4.5m**

Concrete Required **1.0m³**

Certified to EN 1176

Steel Ground Fixed
Surface Fixed
(if different)

[Click here for more information & downloads](#) 



[Click here for more information & downloads](#)

