

# Upbeat – Nimble Plus



**A junior tower system comprising of:**

- Square Tower (2.8m)
- Square Tower (1.9m)
- Tube Slide (2.8m )
- Climbing Wall (1.9m)
- Rope Ramp (1.9m)
- Twisted Scramble Net (1.9m)
- Upbeat Ramp Link
- Lookout Tower
- Square Tower Roof
- Upbeat Seat
- Bubble Play Panel

-  **Option A-**  
Dark Blue/Yellow  
(Shown)
-  **Option B-**  
Purple/Lime Green
-  **Option C-**  
Green

**Code – JB/NIM/\*2**

<b>Age</b>
5-12 years
<b>Materials</b>
Laminated Timber
Compact Grade Laminate (CGL)
Galvanised or Painted Mild Steel
Nylon Steel Cored Rope
Stainless Steel Slide
Various Plastic Mouldings

## Technical Information

### Equipment Dimensions

Length / Width / Height **7.3m x 3.3m x 5.3m**

### Surfacing and Area Required

Recommended Minimum Space  
L/W/H **10.2m x 7.2m x 6.5m**

Max Gradient of Ground **1 in 50**

Free Height of Fall **2.8m**

Impact Area **48.57m<sup>2</sup>**

Synthetic Area  
(i.e. EPDM / Wet Pour / Synthetic Grass etc.) **48.56m<sup>2</sup>**

Loosefill at 350mm  
(i.e. Bark / Cushionfall / Sand) **20m<sup>3</sup>**

GrassLok Tiles **62m<sup>2</sup>**

### Installation Information

Steel Ground Fixed

Surface Fixed  
(if different)

Installation Time **2 Person(s) 11 Hour(s)**

Overall Weight **1150kg**

Heaviest Part **201kg**

Largest Part **3.5m x 3.4m x 2.2m**

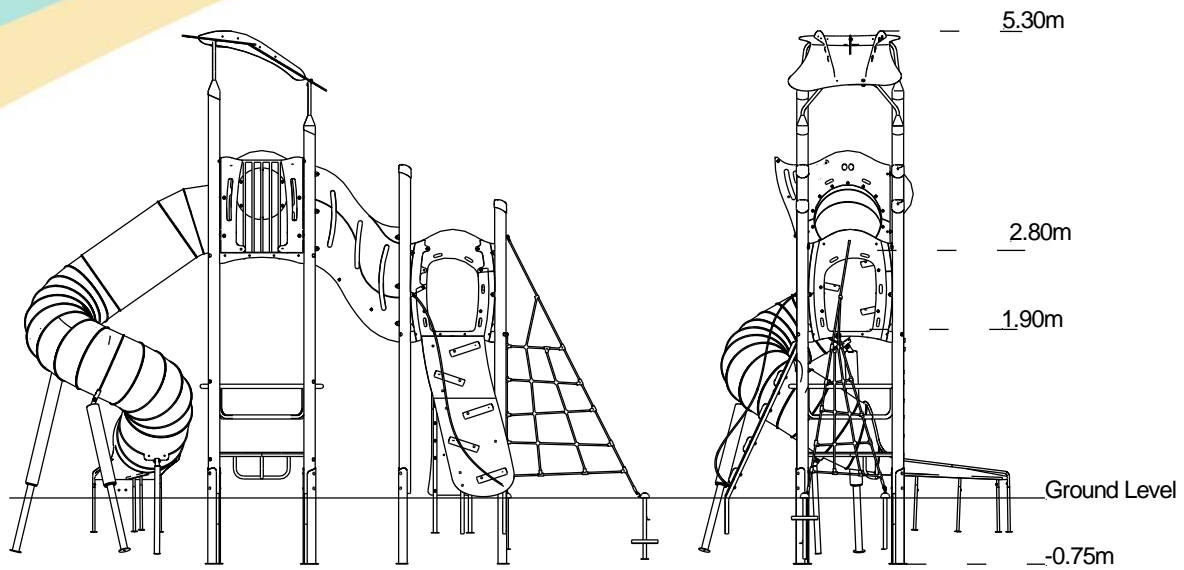
Longest Part **4.6m**

Concrete Required **0.8m<sup>3</sup>**

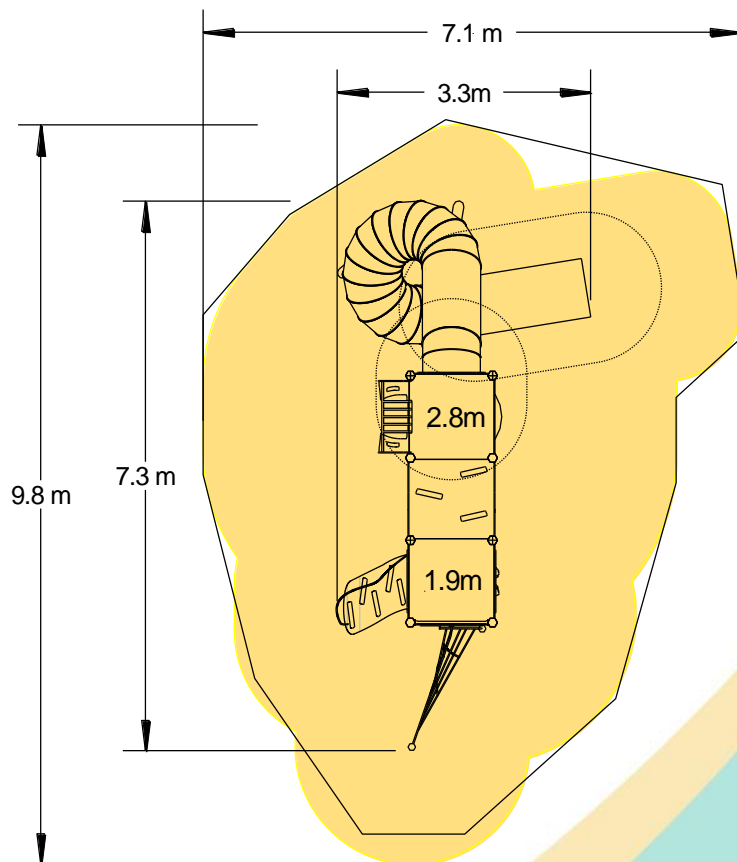
Certified to EN 1176

[Click here for more information & downloads](#)





- Impact Area
- Free Space
- Synthetic Area



[Click here for more information & downloads](#)

