

# Mountain Tower Plus - Everest



**A junior tower system comprising of:**

- 4 Floor Hexagonal Tower
- Square Tower (1.5m)
- Square Tower (1.9m)
- Tube Slide (3.3m)
- Spiral Slide (5.1m)
- Inverted Climber (1.5m)
- Climbing Wall (1.9m)
- Rope Ramp (1.5m)
- Twisted Scramble Net (1.9m)
- Net Tunnel (1.5m)
- Sky Net
- Arched Tunnel
- Inclined Net Pit
- Bubble Panel

-  **Option A-  
Dark Blue/Yellow  
(Shown)**
-  **Option B-  
Purple/Lime Green**
-  **Option C-  
Green**

**Code – MTN/EVE\*/2**

<b>Age</b>
5-12 years
<b>Materials</b>
Laminated Timber
Compact Grade Laminate (CGL)
Galvanised or Painted Mild Steel
Nylon Steel Cored Rope
Stainless Steel Tube Slide
Sawn Timber
Various Plastic Mouldings

## Technical Information

### Equipment Dimensions

Length / Width / Height **11.0m x 8.8m x 10.1m**

### Surfacing and Area Required

Recommended Minimum Space  
L/W/H **15.1m x 12.8m x 11.3m**

Max Gradient of Ground **1 in 50**

Free Height of Fall **1.9m**

Impact Area **103.45m<sup>2</sup>**

Synthetic Area  
(i.e. EPDM / Wet Pour / Synthetic Grass etc.) **102.00m<sup>2</sup>**

Loosefill at 250mm  
(i.e. Bark / Cushionfall / Sand) **35m<sup>3</sup>**

GrassLok Tiles **131m<sup>2</sup>**

### Installation Information

Steel Ground Fixed

Surface Fixed  
(if different)

Installation Time **4 Person(s) 72 Hour(s)**

Overall Weight **3577kg**

Heaviest Part **171kg**

Largest Part **2.3m x 1.9m x 3.6m**

Longest Part **4.0m**

Concrete Required **2.3m<sup>3</sup>**

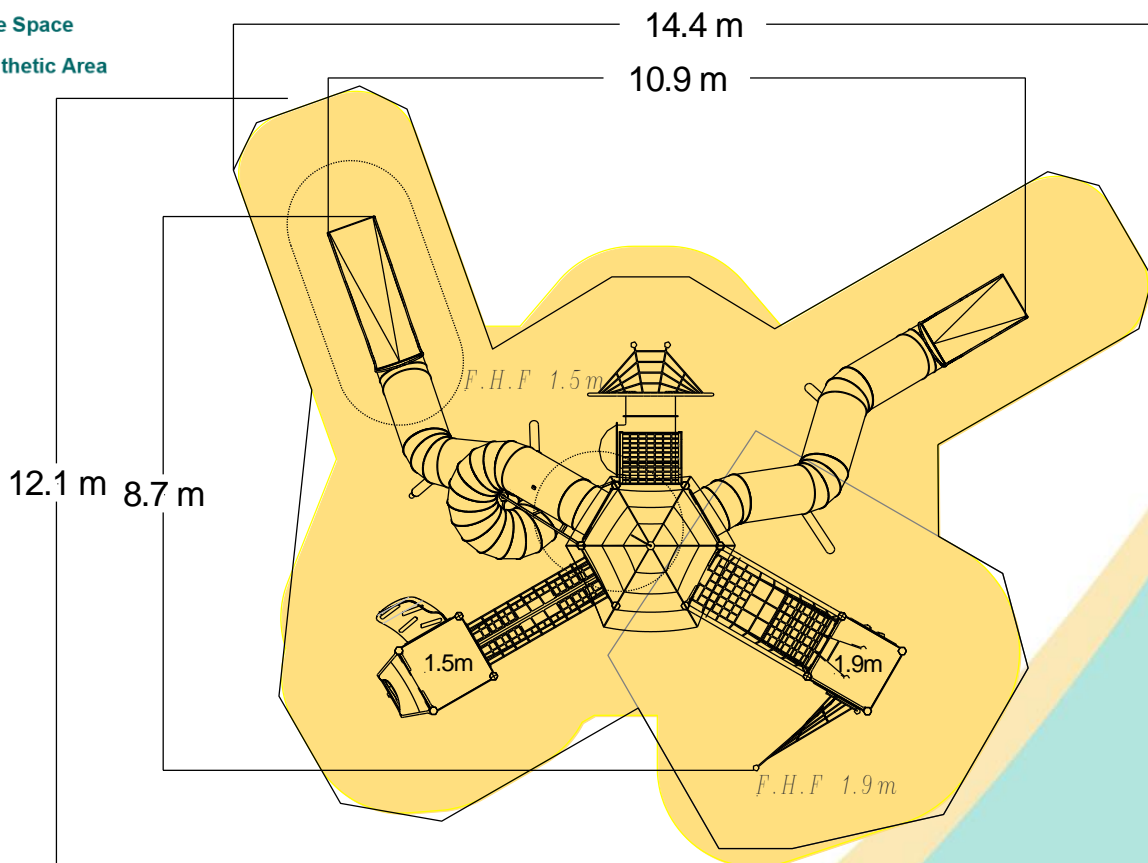
Certified to EN 1176

[Click here for more information & downloads](#)





- Impact Area
- Free Space
- Synthetic Area



[Click here for more information & downloads](#)

