

Big City Plus - Montreal Plus



-  **Option A**
Dark Blue & Orange
(shown)
-  **Option B**
Purple & Yellow
-  **Option C**
All Green

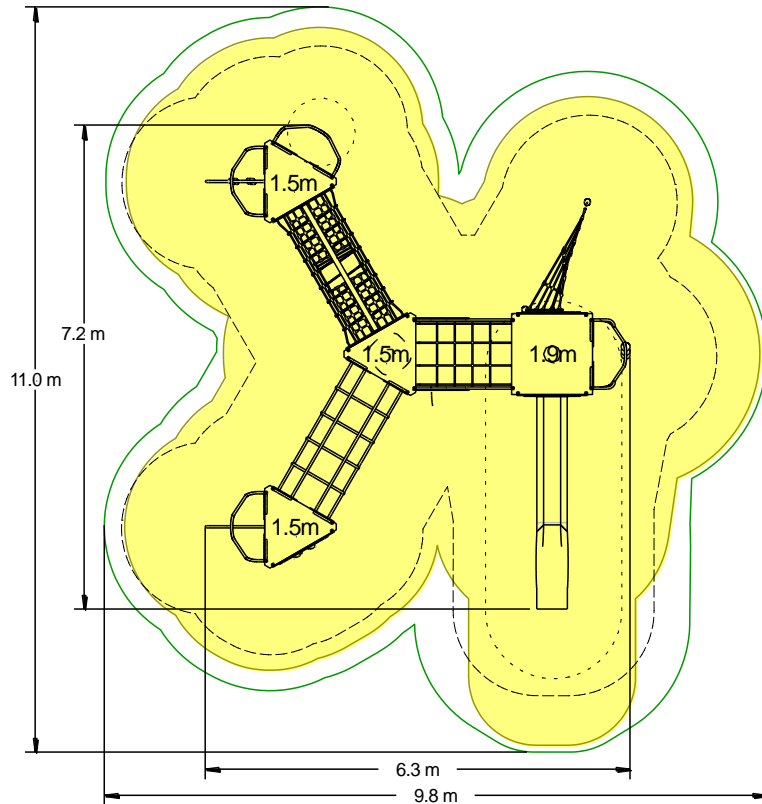
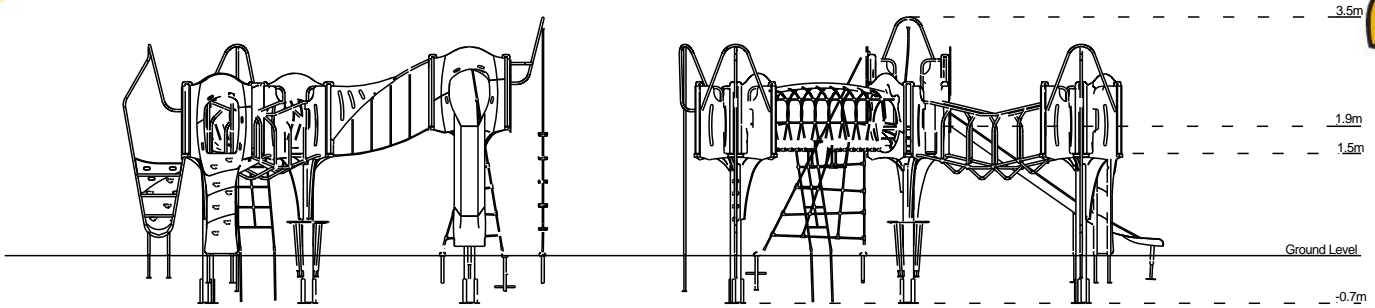
A junior modular tower system comprising of:

- Square Towers (1.9m)
- 3 x Triangular Towers (1.5m)
- Slide (1.9m)
- Twisted Climbing Net (1.9m)
- Rope Climb (1.9m)
- Net Tunnel (1.5m)
- Climbing Wall (1.5m)
- Side Ladder (1.5m)
- Fireman's Pole (1.5m)
- Side Climber (1.5m)
- Level Hoop Bars
- Inclined Net Bridge
- Under Floor Seating

Code – BC/MON*2
Age
5-12 years
Materials
Stainless Steel
Compact Grade Laminate (CGL)
Nylon Steel Cored Rope
Various Plastic Mouldings
LLDPE Slide

Technical Information		
Equipment Dimensions		
Length / Width / Height	7.2m x 6.3m x 3.5m	
Surfacing and Area Required		
Recommended Minimum Space L/W/H	11.0m x 9.8m x 4.7m	
Max Gradient of Ground	1 in 50	
Free Height of Fall	1.9m	
Impact Area	67.22m ²	
Synthetic Area (i.e. EPDM / Wet Pour / Synthetic Grass etc.)	71.15m ²	
Loosefill at 250mm (i.e. Bark / Cushionfall / Sand)	21m ³	
GrassLok Tiles	94m ²	
Installation Information	SGF	SF (if different)
Installation Time	2 Persons 27 Hours	
Overall Weight	959kg	
Heaviest Part	44kg	
Largest Part	3.7m x 0.4m x 0.4mm	
Longest Part	3.7m	
Concrete Required	1.3m ³	1.94m ³
Certified to ASTM F1487		

[Click here for more information & downloads](#) 



-  Recommended Minimum Space
-  Impact Area
-  Free Space
-  Unit Spacing Boundary

[Click here for more information & downloads](#)

