

## Little Hamlets – Littlebeck Plus



**A toddler tower system comprising of:**

- Square Tower (1.25m) Slide (0.55m)
- Slide (1.25m)
- Arched Net Climber (1.25m)
- Ramp Climber (1.25m)
- Bubble Play Panel

-  Option A-  
Light Blue/Yellow
-  Option B-  
Purple/Yellow
-  Option C-  
Green  
(Shown)

### Code – LTH/LTB/\*2

<b>Age</b>
2-5 years
<b>Materials</b>
Laminated Timber
Compact Grade Laminate (CGL)
Galvanised or Painted Mild Steel
Nylon Steel Cored Rope
Stainless Steel Slide
Stainless Steel
Various Plastic Mouldings

### Technical Information

#### Equipment Dimensions

Length / Width / Height **3.8m x 1.7m x 2.6m**

#### Surfacing and Area Required

Recommended Minimum Space  
L/W/H **7.9m x 5.3m x 3.9m**

Max Gradient of Ground **1 in 50**

Free Height of Fall **1.25m**

Impact Area **23.88m<sup>2</sup>**

Synthetic Area  
(i.e. EPDM / Wet Pour / Synthetic Grass etc.) **22.63m<sup>2</sup>**

Loosefill at 250mm  
(i.e. Bark / Cushionfall / Sand) **8m<sup>3</sup>**

GrassLok Tiles **34m<sup>2</sup>**

#### Installation Information

Steel Ground Fixed

Surface Fixed  
(if different)

Installation Time **2 Person(s) 6 Hour(s)**

Overall Weight **150kg**

Heaviest Part **23kg**

Largest Part **2.7m x 0.4m x 0.2m**

Longest Part **2.7**

Concrete Required **0.6m<sup>3</sup>**

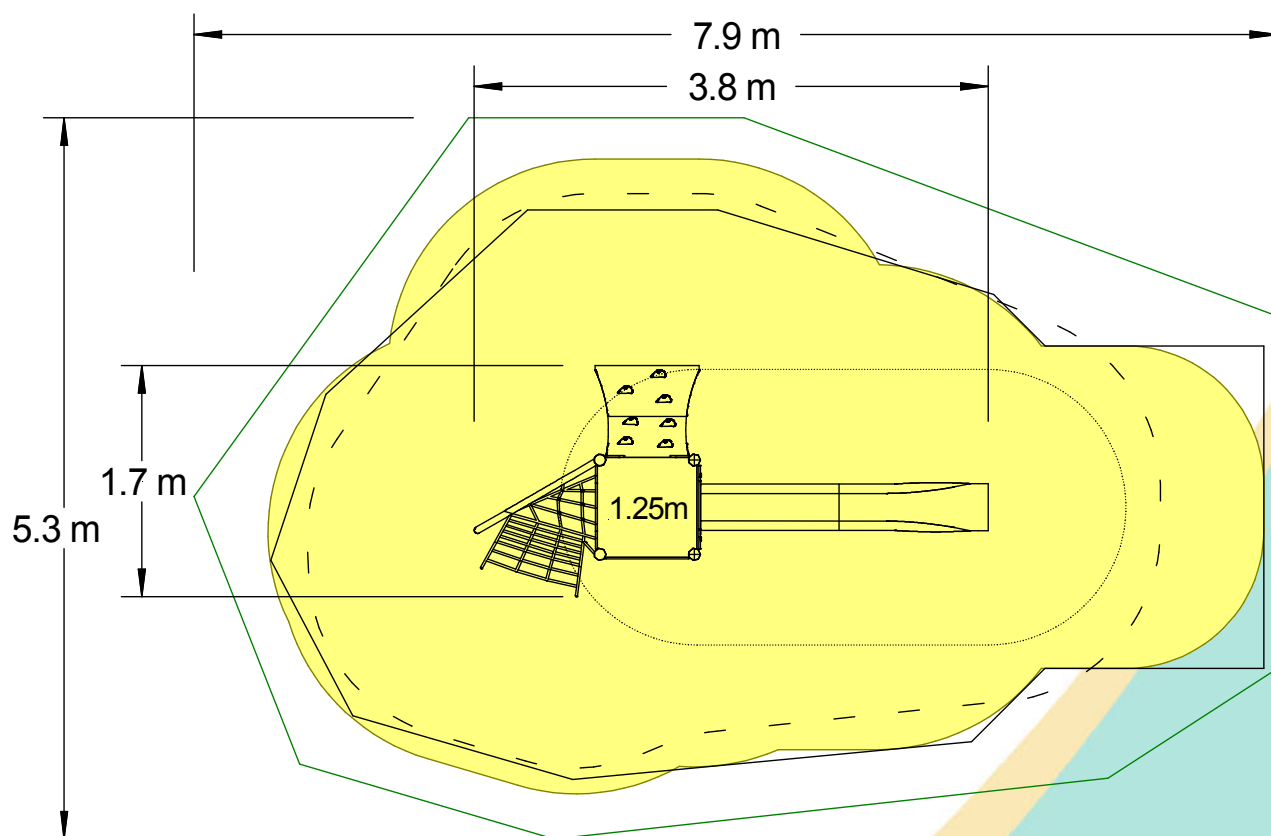
Certified to EN 1176

[Click here for more information & downloads](#)





-  Recommended Minimum Space
-  Impact Area
-  Free Space
-  Unit Spacing Boundary



[Click here for more information & downloads](#)

