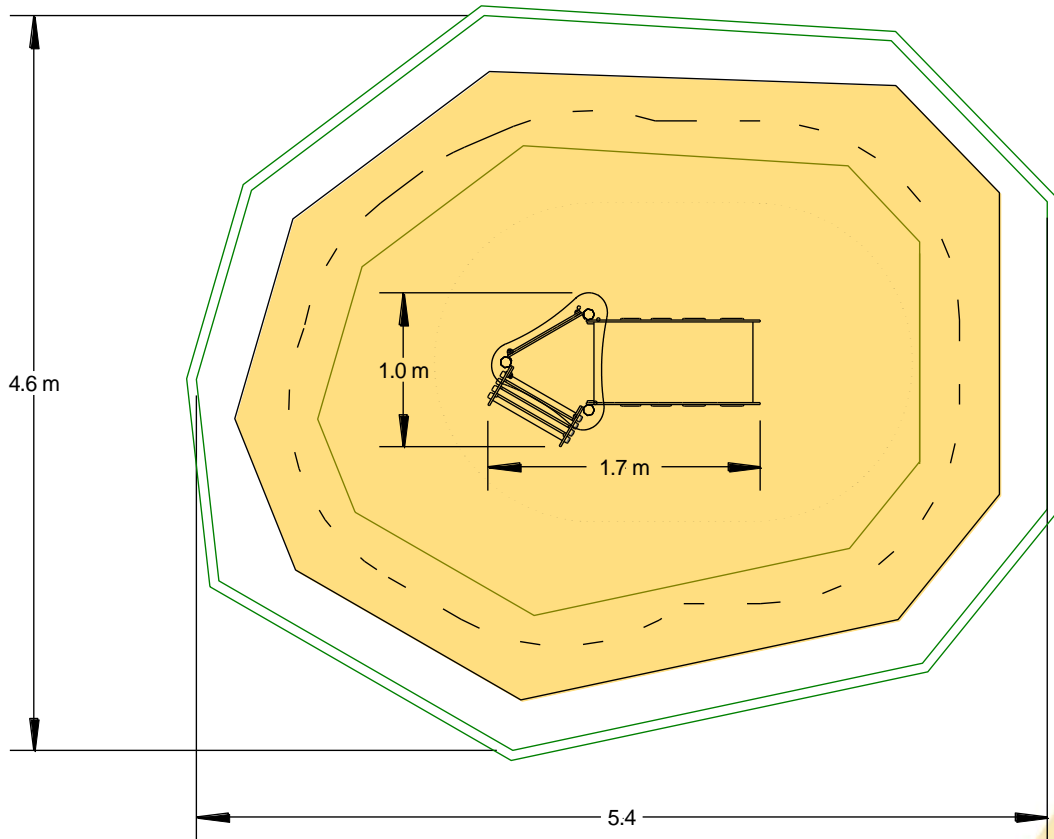
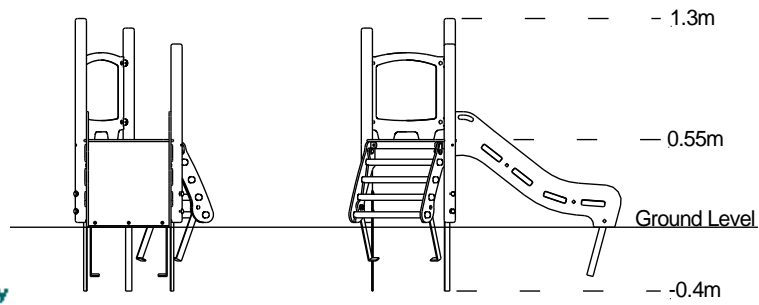


Little Explorers Range – Grow



Technical Information

Equipment Dimensions

Length / Width / Height **1.7m x 1.0m x 1.3m**

Surfacing and Area Required

Minimum Space Required LW/H **5.4m x 4.6m x 3.0m**

Max Gradient Of Ground **1 in 50**

Free Height Of Fall **0.55m**

Wetpour Area **8.80m²**

Loosefill At 150mm **3m³**

Bark / Cushionfall / Sand **15 m²**

Installation Information

overall weight **60kg**

heaviest part **30kg**

largest part **1.3m x 0.4m x 0.55m**

longest part **1.3m**

concrete required **0.2m³**

COMPLIES TO BS EN 1176