


## Jukebox – Indie Plus




### A junior modular tower system comprising of:

- Square Tower (1.5m)
- Stainless Steel Slide (1.5m)
- Inclusive Net (1.5m)
- Rope Ramp (1.5m)
- 2 x Pod Seat
- Bubble Play Panel

 Option A-  
Dark Blue/Yellow

 Option B-  
Purple/Lime Green  
(Shown)

 Option C-  
Green

### Code – JB/IND/\*3

#### Age

5-12 years

#### Materials

Laminated Timber

Compact Grade Laminate (CGL)

Galvanised or Painted Mild Steel

Nylon Steel Cored Rope

Stainless Steel Slide

Sawn Timber

Various Plastic Mouldings

## Technical Information

### Equipment Dimensions

Length / Width / Height **6.3m x 1.9m x 3.4m**

### Surfacing and Area Required

Recommended Minimum Space  
L/W/H **10.1m x 5.6m x 4.6m**

Max Gradient of Ground **1 in 50**

Free Height of Fall **1.5m**

Impact Area **34.06m<sup>2</sup>**

Synthetic Area  
(i.e. EPDM / Wetpour / Synthetic Grass etc.) **31.87m<sup>2</sup>**

Loosefill at 250mm  
(i.e. Bark / Cushionfall / Sand) **12m<sup>3</sup>**

Grasslok Tiles **44m<sup>2</sup>**

### Installation Information

Steel Ground Fixed

Surface Fixed  
(if different)

Installation Time **2 Person(s) 6 Hour(s)**

Overall Weight **415kg**

Heaviest Part **39kg**

Largest Part **3.1m x 0.5m x 0.5m**

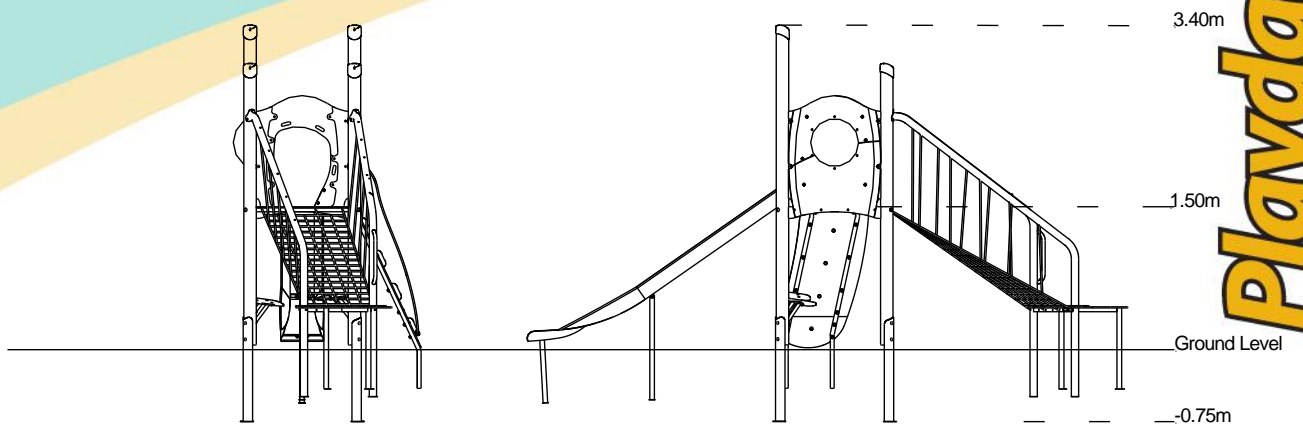
Longest Part **3.4m**

Concrete Required **0.9m<sup>3</sup>**

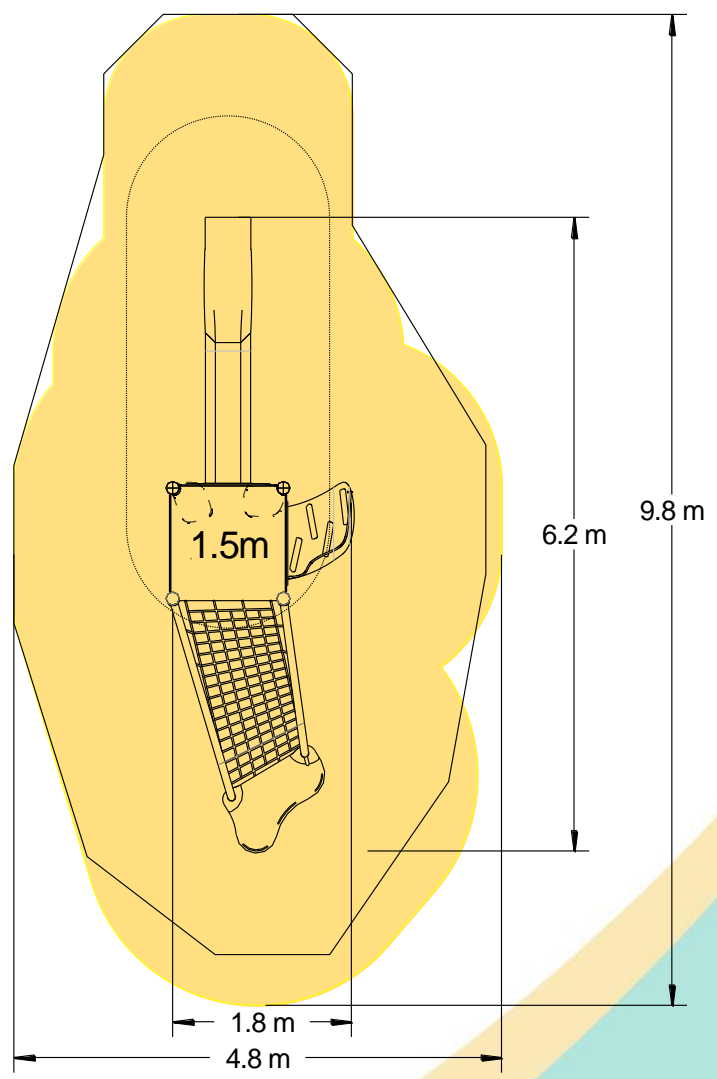
Certified to EN 1176

[Click here for more information & downloads](#)





-  Impact Area
-  Free Space
-  Synthetic Area



[Click here for more information & downloads](#)

