

Big City Plus - Grenoble Plus



-  **Option A**
Dark Blue & Orange (shown)
-  **Option B**
Purple & Yellow
-  **Option C**
All Green

A junior modular tower system comprising of:

- Square Tower (1.5m)
- Slide (1.5m)
- Inclusive Net Access
- Side Ladder (1.5m)
- Ball Blast Above Play Panel
- Puzzle Ball Below Play Panel

Code – BC/GRE*3

Age

5-12 years

Materials

Stainless Steel
Compact Grade Laminate (CGL)
Nylon Steel Cored Rope
Various Plastic Mouldings
LLDPE Slide

Technical Information

Equipment Dimensions

Length / Width / Height **4.6m x 3.9m x 3.1m**

Surfacing and Area Required

Recommended Minimum Space L/W/H **7.9m x 7.8m x 4.3m**

Max Gradient of Ground **1 in 50**

Free Height of Fall **1.5m**

Impact Area **34.06m²**

Synthetic Area (i.e. EPDM / Wet Pour / Synthetic Grass etc.) **33.02m²**

Loosefill at 250mm (i.e. Bark / Cushionfall / Sand) **11m³**

GrassLok Tiles **48m²**

Installation Information

SGF

SF (if different)

Installation Time **2 Persons 8 Hours**

Overall Weight **493kg**

Heaviest Part **37kg**

Largest Part **3.1m x 0.4m x 0.4mm**

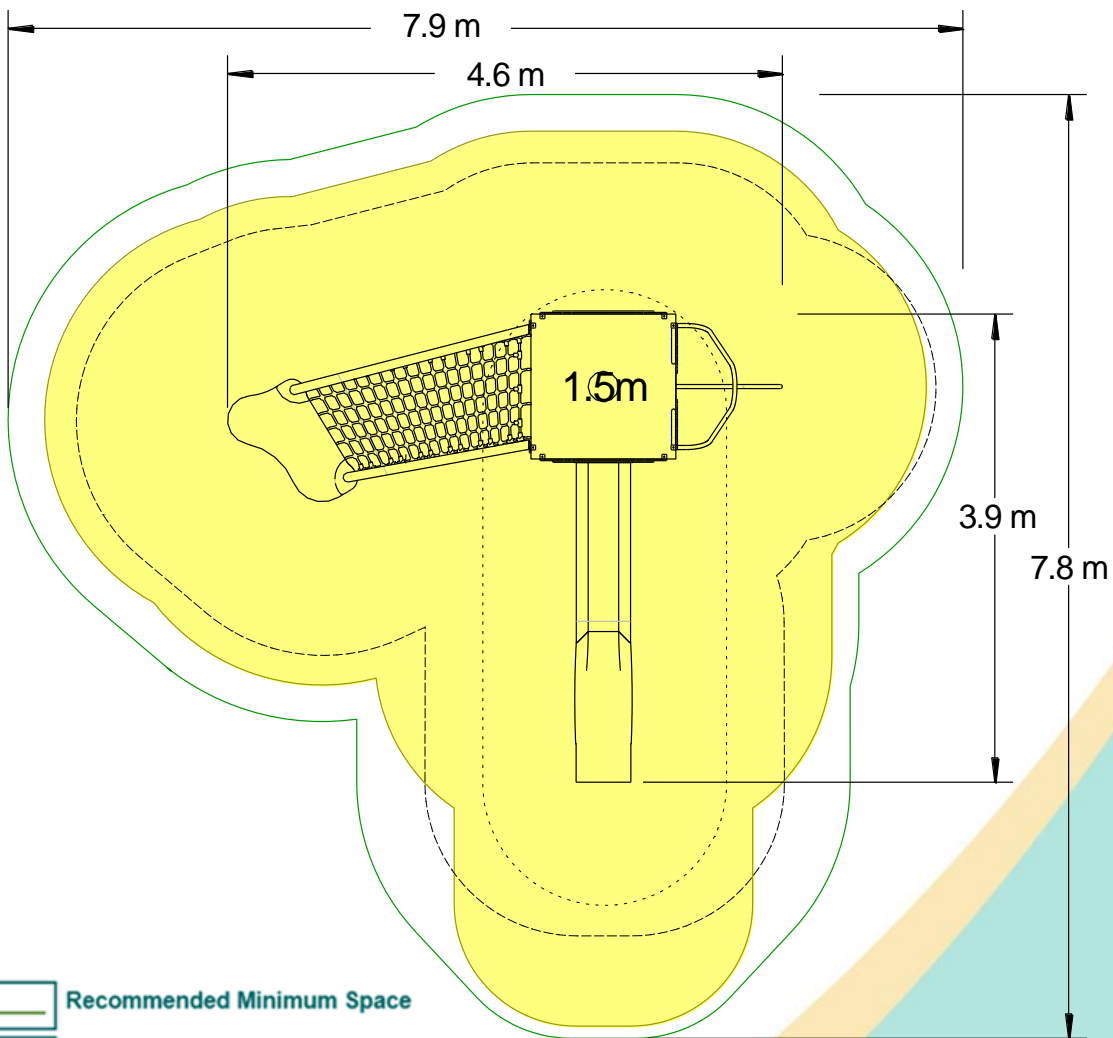
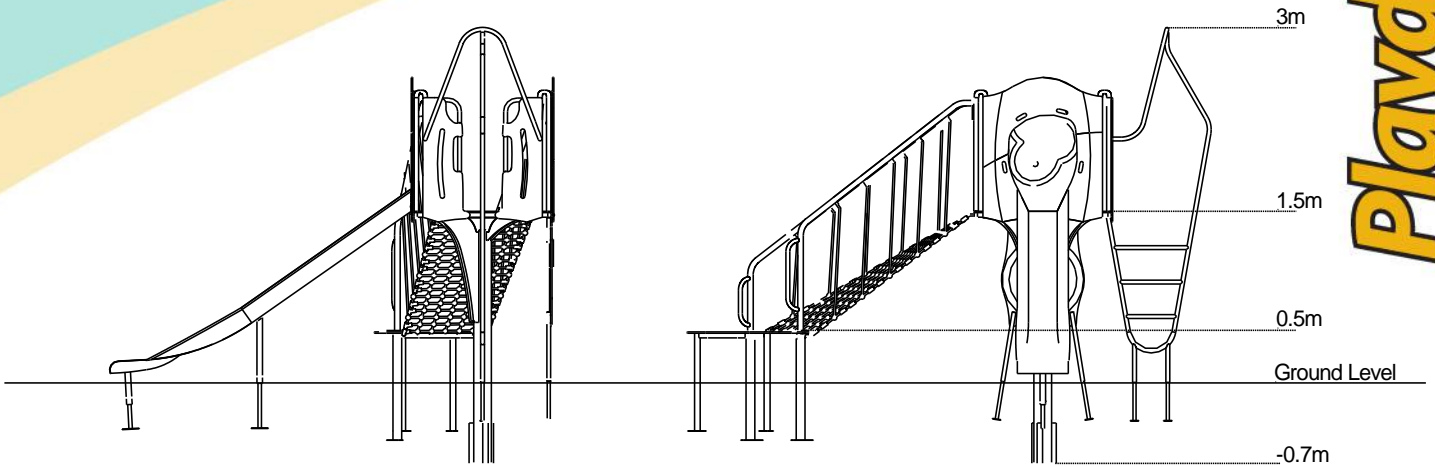
Longest Part **3.1mm**

Concrete Required **0.52m³** **0.83m³**

Certified to ASTM F1487

[Click here for more information & downloads](#)





-  Recommended Minimum Space
-  Impact Area
-  Free Space
-  Unit Spacing Boundary

[Click here for more information & downloads](#)

