

# Big City Plus - Grenoble Plus



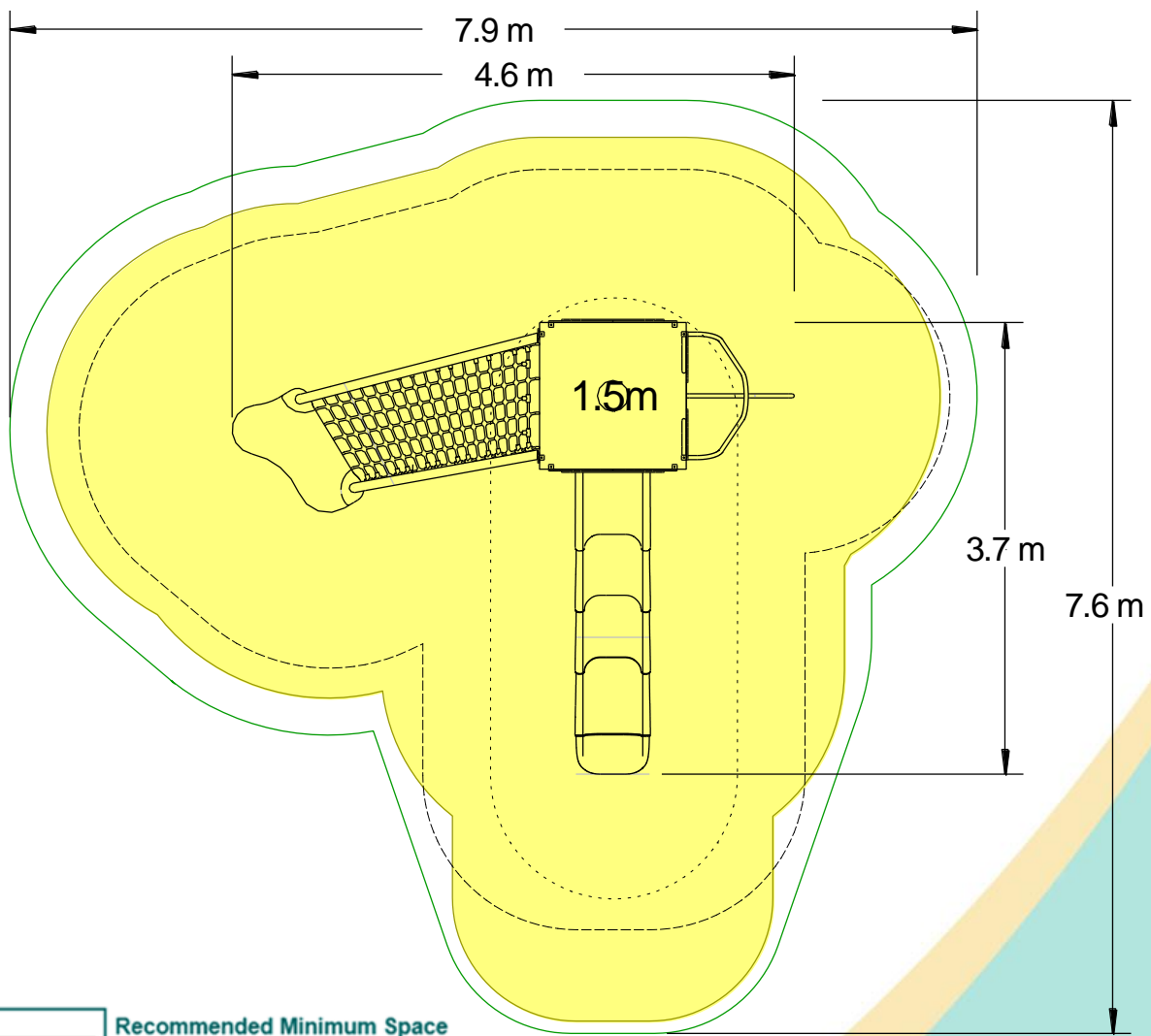
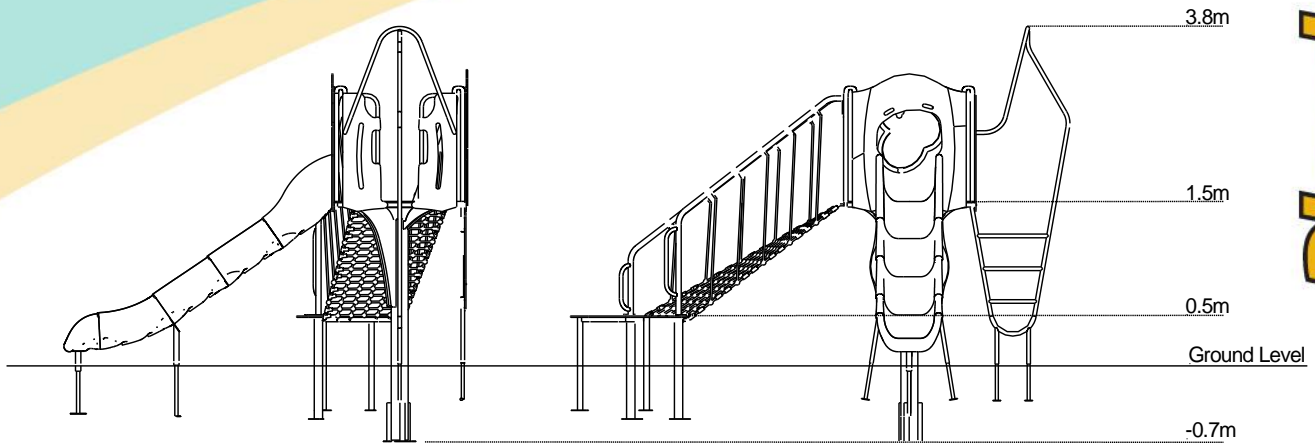
**A junior modular tower system comprising of:**

- Square Tower (1.5m)
- Slide (1.5m)
- Inclusive Net Access
- Side Ladder (1.5m)
- Ball Blast Above Play Panel
- Puzzle Ball Below Play Panel

<b>Code – BC/GRE*2</b>
<b>Age</b>
5-12 years
<b>Materials</b>
Stainless Steel
Compact Grade Laminate (CGL)
Nylon Steel Cored Rope
Various Plastic Mouldings
LLDPE Slide

<b>Technical Information</b>		
<b>Equipment Dimensions</b>		
Length / Width / Height	4.6m x 3.7m x 3.1m	
<b>Surfacing and Area Required</b>		
Recommended Minimum Space L/W/H	7.9m x 7.6m x 4.3m	
Max Gradient of Ground	1 in 50	
Free Height of Fall	1.5m	
Impact Area	33.21m <sup>2</sup>	
Synthetic Area (i.e. EPDM / Wet Pour / Synthetic Grass etc.)	32.75m <sup>2</sup>	
Loosefill at 250mm (i.e. Bark / Cushionfall / Sand)	12m <sup>3</sup>	
GrassLok Tiles	44m <sup>2</sup>	
<b>Installation Information</b>	<b>SGF</b>	<b>SF (if different)</b>
Installation Time	2 Persons 8 Hours	
Overall Weight	498kg	
Heaviest Part	40kg	
Largest Part	3.0m x 0.6m x 0.6mm	
Longest Part	3.0m	
Concrete Required	0.52m <sup>3</sup>	0.83m <sup>3</sup>
Certified to ASTM F1487		

[Click here for more information & downloads](#) 



-  Recommended Minimum Space
-  Impact Area
-  Free Space
-  Unit Spacing Boundary

[Click here for more information & downloads](#)

