


Jukebox- Funk Plus



-  Option A-
Dark Blue/Yellow
-  Option B-
Purple/Lime Green
(Shown)
-  Option C-
Green

Code – JB/FUN/*2

Age
5-12 years
Materials
Laminated Timber
Compact Grade Laminate (CGL)
Galvanised or Painted Mild Steel
Nylon Steel Cored Rope
Stainless Steel
Various Plastic Mouldings

A junior modular tower system comprising of:

- Angled Tower (1.1m)
- Stainless Steel Slide (1.1m)
- Climbing Wall (1.1m)
- Twisted Scramble Net (1.1m)
- Bubble Play Panel

Technical Information

Equipment Dimensions

Length / Width / Height **3.5m x 2.7m x 3.0m**

Surfacing and Area Required

Recommended Minimum Space
L/W/H **7.2m x 6.2m x 4.2m**

Max Gradient of Ground **1 in 50**

Free Height of Fall **1.1m**

Impact Area **25.70m²**

Synthetic Area
(i.e. EPDM / Wetpour / Synthetic Grass etc.) **25.40m²**

Loosefill at 250mm
(i.e. Bark / Cushionfall / Sand) **9m³**

Grasslok Tiles **36m²**

Installation Information

Steel Ground Fixed

Surface Fixed
(if different)

Installation Time **2 Person(s) 8 Hour(s)**

Overall Weight **322kg**

Heaviest Part **40kg**

Largest Part **2.5m x 0.5m x 0.5m**

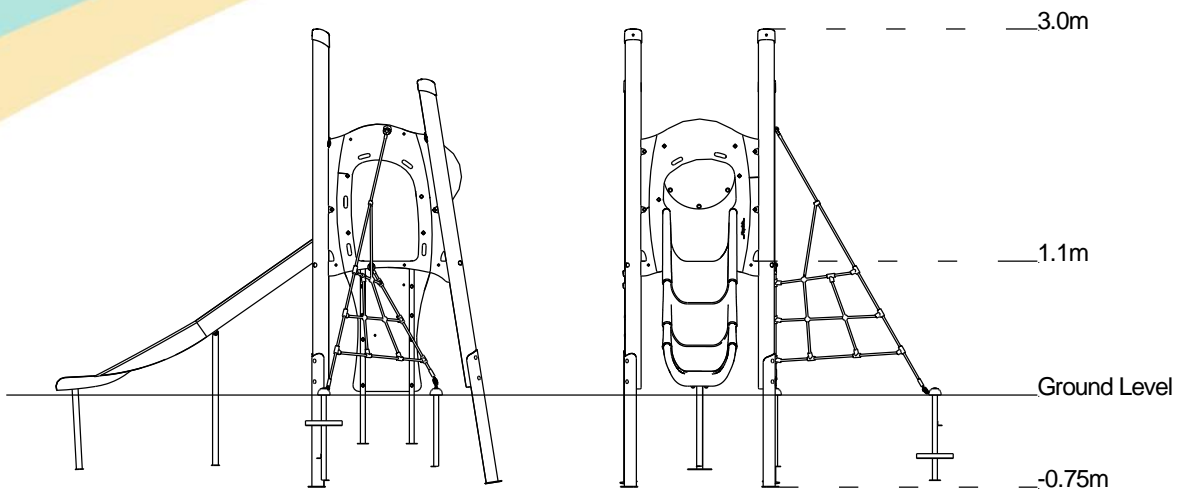
Longest Part **2.9m**

Concrete Required **0.6m³**

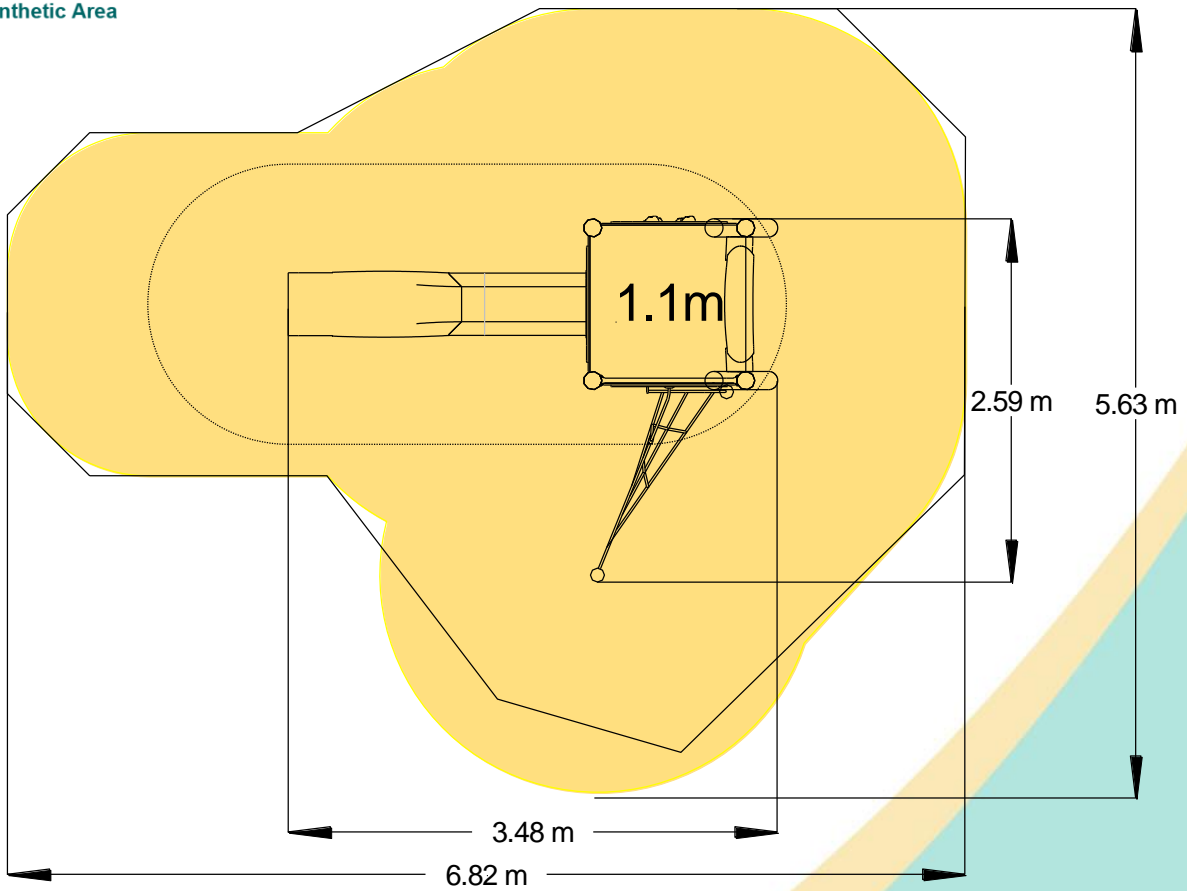
Certified to EN 1176

[Click here for more information & downloads](#)





- Impact Area
- Free Space
- Synthetic Area



[Click here for more information & downloads](#)

