

# Little Hamlets – Blissford Plus



-  Option A-  
Light Blue/Yellow
-  Option B-  
Purple/Yellow
-  Option C-  
Green  
(Shown)

## Code – LTH/BLS/\*1

<b>Age</b>
2-5 years
<b>Materials</b>
Laminated Timber
Compact Grade Laminate (CGL)
Galvanised or Painted Mild Steel
Nylon Steel Cored Rope
LLDPE Slide
Stainless Steel
Various Plastic Mouldings

### A toddler tower system comprising of:

- Square Tower (1.25m)
- Angled Tower (1.25m)
- Triangular Lookout Tower (1.25m)
- Slide (1.25m)
- Ramp Climber (1.25m)
- Bubble Play Panel
- Animal Home Trail Play Panel
- Musical Play Panel
- Scramble Net (1.25m)
- Arched Net Climber (1.25m)
- Curved Bridge
- Playhouse

## Technical Information

### Equipment Dimensions

Length / Width / Height **4.8m x 3.9m x 2.6m**

### Surfacing and Area Required

Recommended Minimum Space  
L/W/H **8.3m x 7.9m x 3.9m**

Max Gradient of Ground **1 in 50**

Free Height of Fall **1.25m**

Impact Area **38.69m<sup>2</sup>**

Synthetic Area  
(i.e. EPDM / Wet Pour / Synthetic Grass etc.) **36.67m<sup>2</sup>**

Loosefill at 250mm  
(i.e. Bark / Cushionfall / Sand) **13m<sup>3</sup>**

GrassLok Tiles **52m<sup>2</sup>**

### Installation Information

Steel Ground Fixed

Surface Fixed  
(if different)

Installation Time **2 Person(s) 18 Hour(s)**

Overall Weight **418kg**

Heaviest Part **30kg**

Largest Part **2.4m x 0.5m x 0.5m**

Longest Part **2.4m**

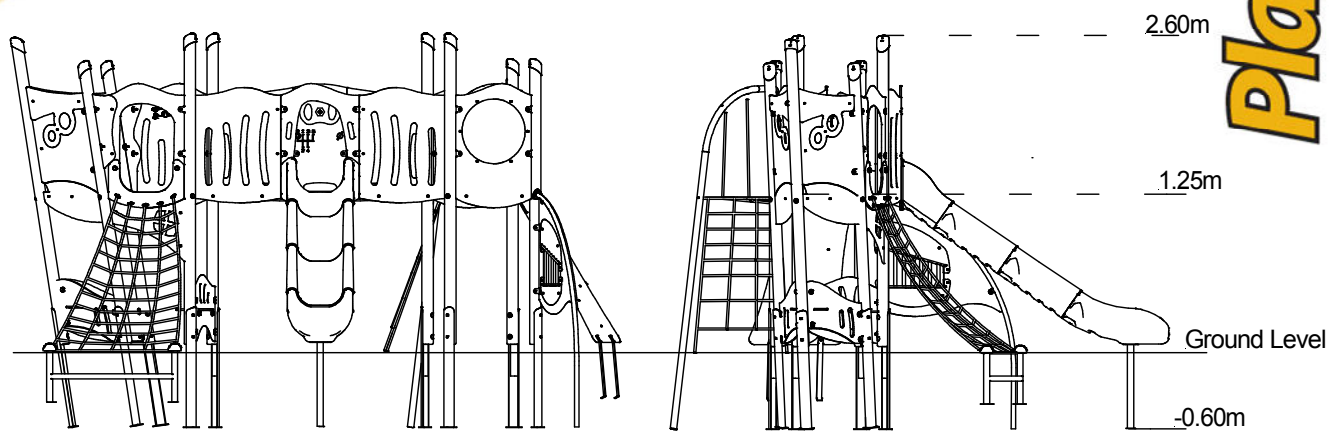
Concrete Required **1.0m<sup>3</sup>**

Certified to EN 1176

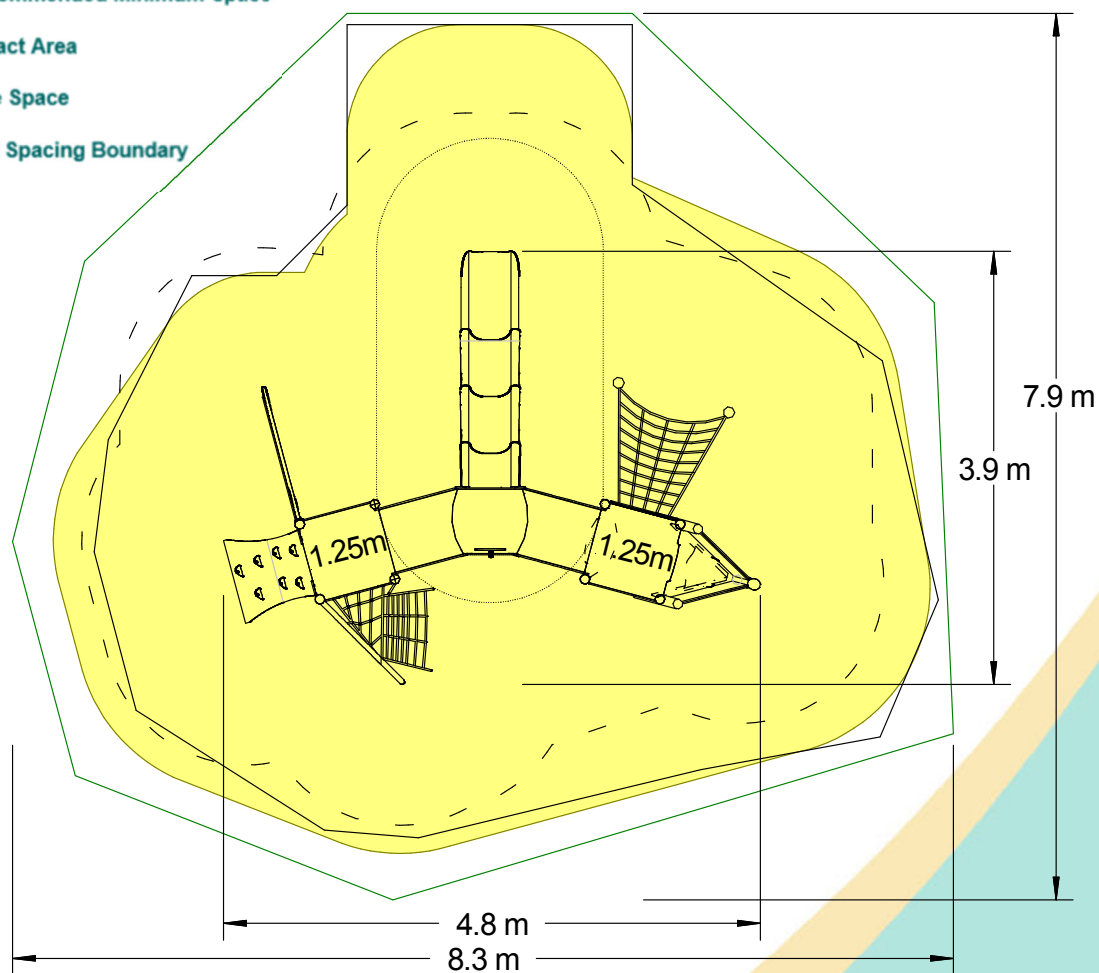
[Click here for more information & downloads](#)



[Click here for more information & downloads](#)



-  Recommended Minimum Space
-  Impact Area
-  Free Space
-  Unit Spacing Boundary



[Click here for more information & downloads](#) 