




Upbeat – Allegro Plus



A junior tower system comprising of:

- Square Tower (2.8m)
- 2 x Square Towers (1.9m)
- Tube Slide (2.8m)
- Triangular Tower (1.5m)
- Pole Slide (1.5m)
- Climbing Wall (1.9m)
- Rope Ramp (1.9m)
- Rope Climb (1.9m)
- Twisted Scramble Net (1.9m)
- Ring Crawl Tunnel
- Climber with Fireman's Pole (1.5m)
- Spiders Web
- Inclined Bridge
- Lookout Tower
- Upbeat Seat
- Square Tower Roof
- Bubble Play Panel

-  Option A-
Dark Blue/Yellow
-  Option B-
Purple/Lime Green
-  Option C-
Green
(Shown)

Code – JB/ALL/*2

Age

5-12 years

Materials

Laminated Timber
Compact Grade Laminate (CGL)
Galvanised or Painted Mild Steel
Nylon Steel Cored Rope
Stainless Steel Slide
Various Plastic Mouldings

Technical Information

Equipment Dimensions

Length / Width / Height **8.7m x 6.6m x 5.3m**

Surfacing and Area Required

Recommended Minimum Space
L/W/H **11.6m x 10.3m x 6.5m**

Max Gradient of Ground **1 in 50**

Free Height of Fall **2.8m**

Impact Area **81.95m²**

Synthetic Area
(i.e. EPDM / Wet Pour / Synthetic Grass etc.) **82.31m²**

Loosefill at 350mm
(i.e. Bark / Cushionfall / Sand) **35m³**

GrassLok Tiles **103m²**

Installation Information

Steel Ground Fixed

Surface Fixed
(if different)

Installation Time **2 Person(s) 16 Hour(s)**

Overall Weight **1953kg**

Heaviest Part **201kg**

Largest Part **3.5m x 3.4m x 2.2m**

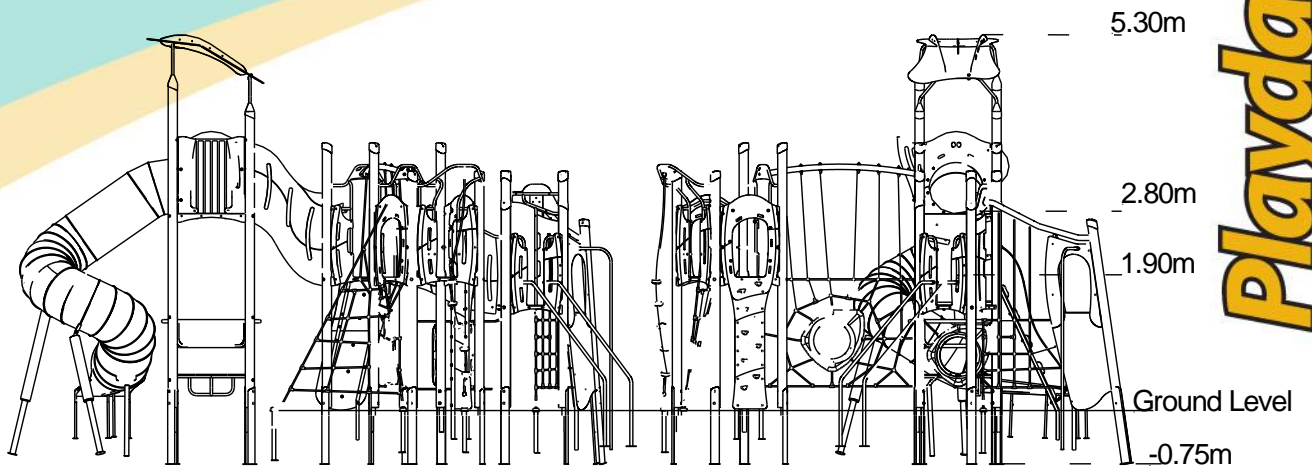
Longest Part **4.6m**

Concrete Required **1.0m³**

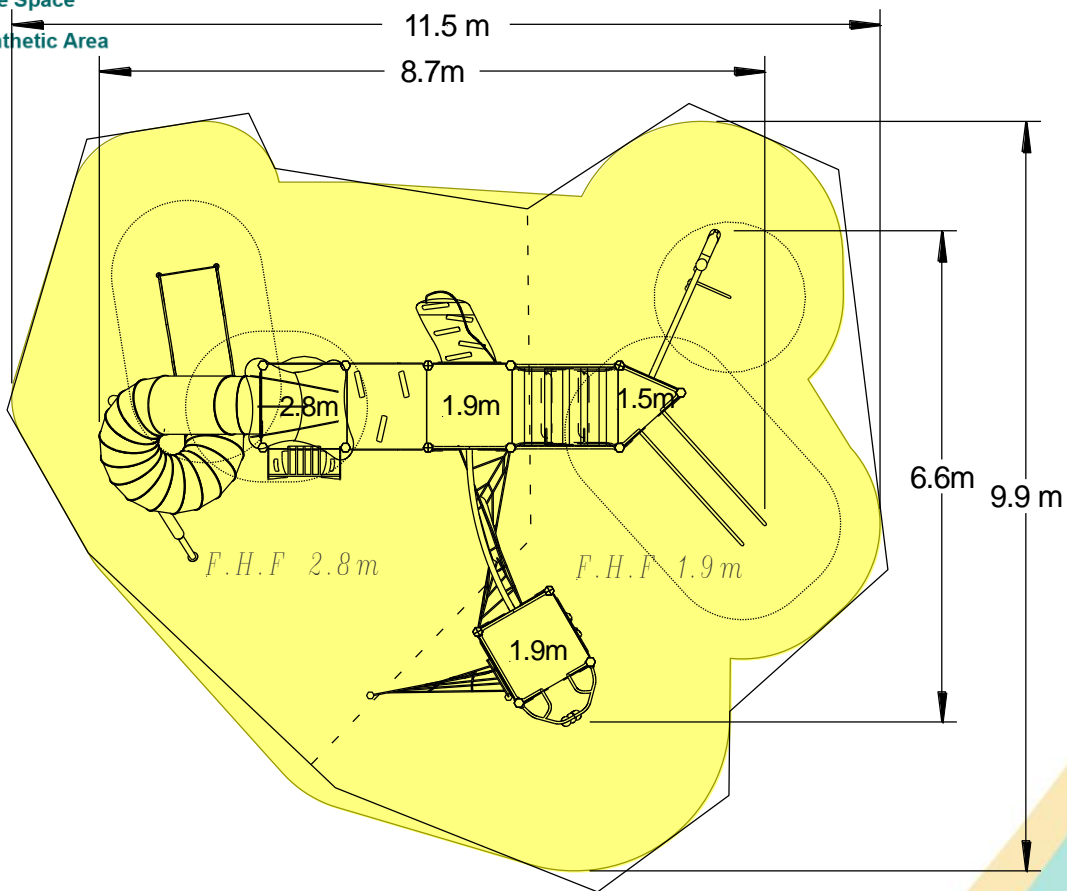
Certified to EN 1176

[Click here for more information & downloads](#)





- Impact Area
- Free Space
- Synthetic Area



[Click here for more information & downloads](#)

