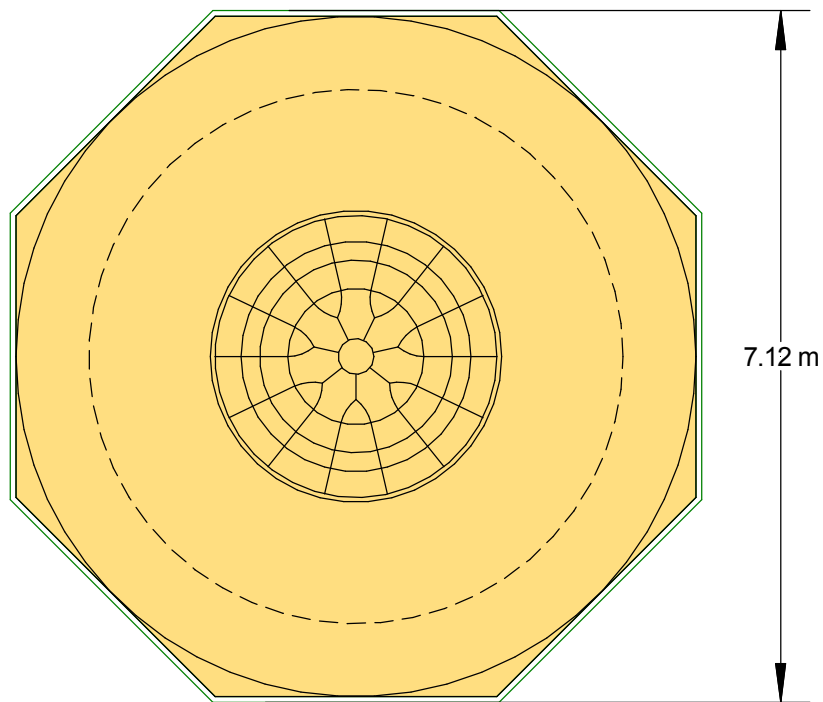
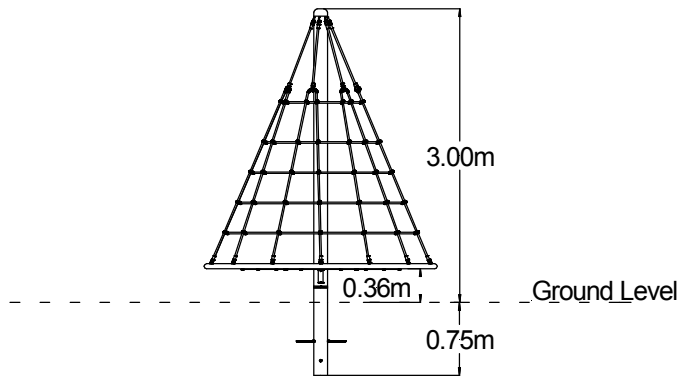


Climbers – Cone Climber 3.0m



Technical Information

Equipment Dimensions

Length / Width / Height **3.0m x 3.0m x 3.0m**

Surfacing and Area Required

Minimum Space Required L/W/H **7.12m x 7.12m x 4.1m**

Max Gradient of Ground **1 in 50**

Free Height of Fall **2.1m**

Impact Area **40.59m²**

Loosefill (Bark / Cushionfall / Sand) at 350mm **15m³**

Grasslok Tiles **34m²**

Installation Information

Overall Weight **160kg**

Heaviest Part **100kg**

Largest Part **3.0m x 3.0m x 0.2m**

Longest Part **4.1m**

Concrete Required **0.72m³**

TUV CERTIFIED TO BS EN 1176