

Freestanding Play Panel (Steel)



Code - *PLP(XX)S*

Age

18 months+

Materials

Stainless Steel

Compact Grade

Laminate (CGL)

Product Description

Activities available:

Ball Maze - *PLP(BM)T*

Bubble - *PLP(B)T*

Chalkboard - *PLP(CB)T*

Concave Mirror - *PLP(CM)T*

Counter Panel - *PLP(CO)T*

Musical - *PLP(MU)T*

Noughts and Crosses - *PLP(XO)T*

Pinball - *PLP(PB)T*

Wavy Mirror - *PLP(WM)T*

These panels provide an engaging activity that aids social interaction, competition and cooperation plus many more benefits unique to each activity.

Technical Information

Equipment Dimensions

Length / Width / Height **1.2m x 0.12m x 1.6m**

Surfacing and Area Required

Recommended Minimum Space
L/W/H **3.7m x 2.6m x 2.5m**

Max Gradient of Ground **1 in 20**

Free Height of Fall **N/A**

Impact Area **N/A**

Synthetic Area
(i.e. EPDM / Wetpour / Synthetic Grass etc.) **N/A**

Loosefill at 150mm
(i.e. Bark / Cushionfall / Sand) **N/A**

1m x 1m Grassmats **N/A**

Installation Information

Installation Time **2 Person(s) 3 Hour(s)** **2 Person(s) 3 Hour(s)**

Overall Weight **26kg** **25kg**

Heaviest Part **16kg** **16kg**

Largest Part **1.6m x 1.0m x 0.012m** **1.6m x 1.0m x 0.012m**

Longest Part **2.21m** **1.45m**

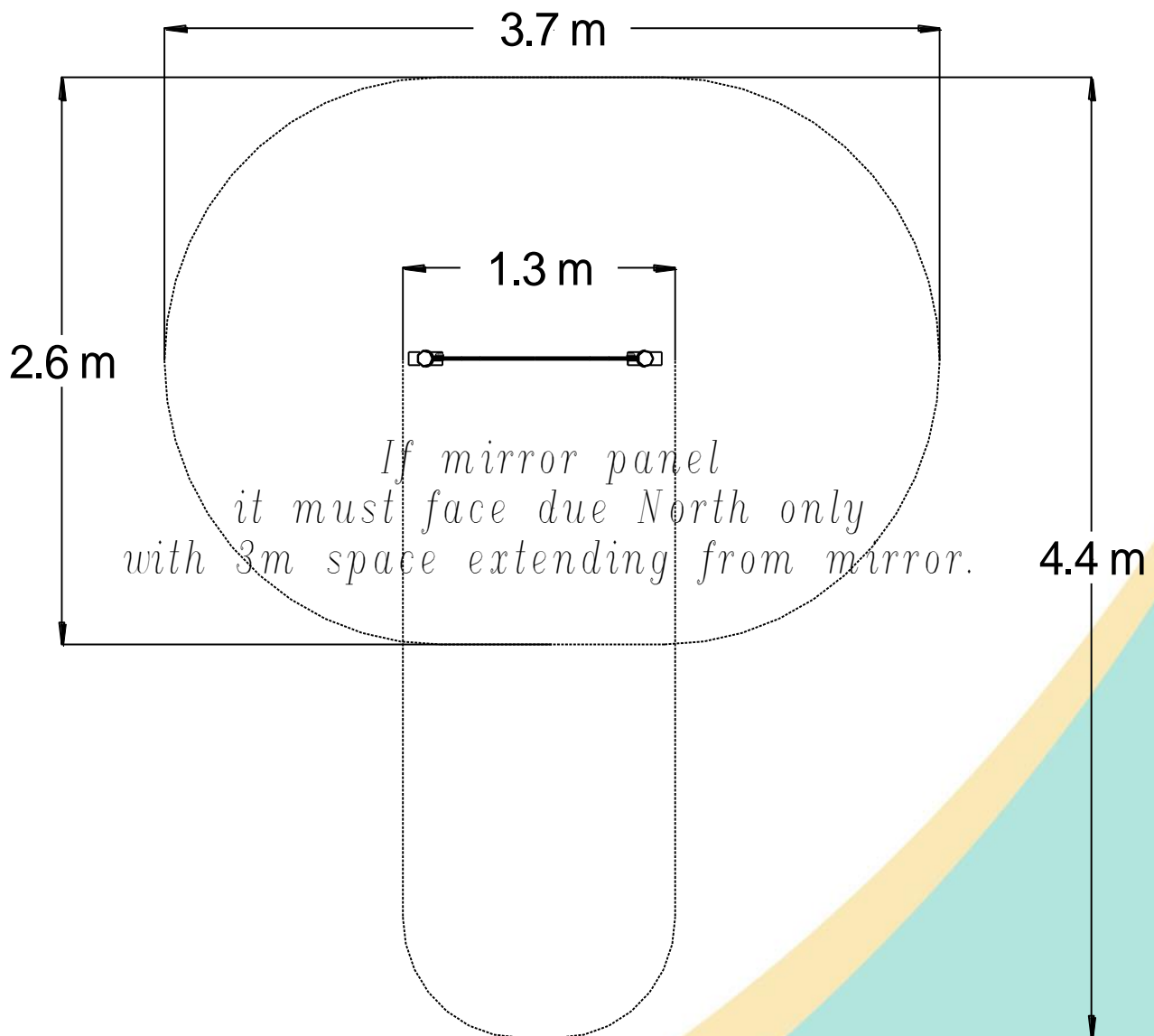
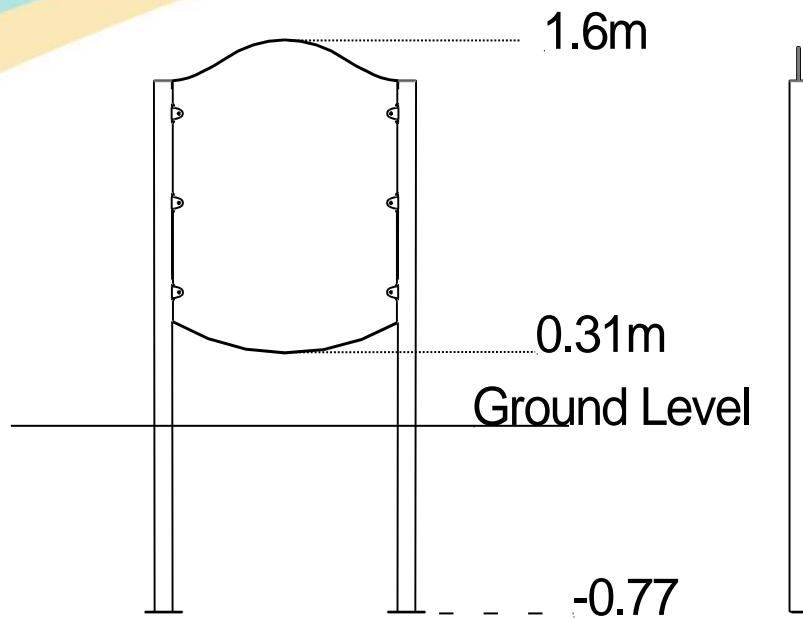
Concrete Required **0.3m³** **0.01m³**

Certified to EN 1176

[Click here for more information & downloads](#)



- Impact Area
- Free Space
- Synthetic Area



[Click here for more information & downloads](#)

