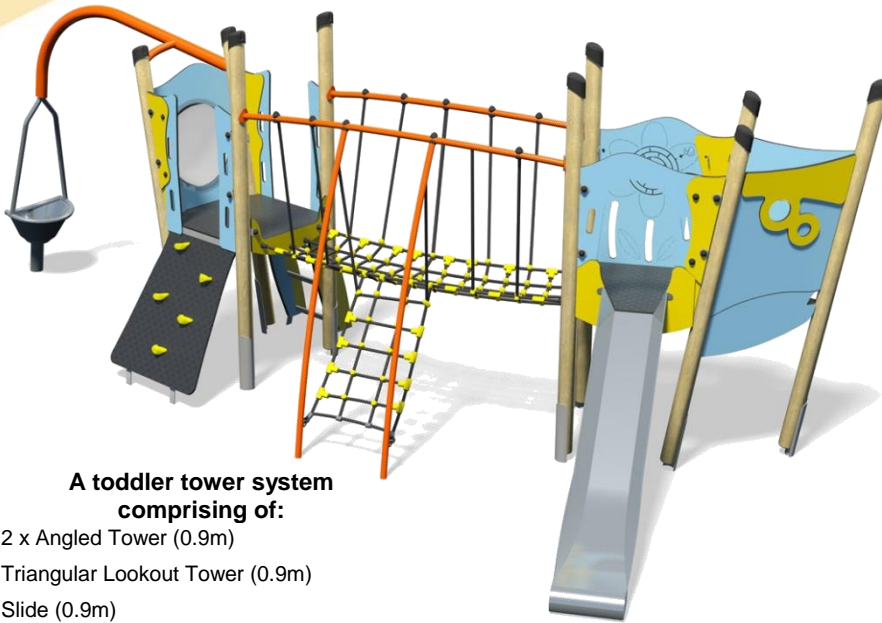


Little Hamlets – Brook Plus



A toddler tower system comprising of:

- 2 x Angled Tower (0.9m)
- Triangular Lookout Tower (0.9m)
- Slide (0.9m)
- Ladder (0.9m)
- Ramp Climber (0.9m)
- Curved Net Traverse
- Spinning Bowl
- Bubble Play Panel
- Finger Maze Play Panel

-  Option A- Light Blue/Yellow (Shown)
-  Option B- Purple/Yellow
-  Option C- Green

Code – LTH/BRK/*2

Age
2-5 years
Materials
Laminated Timber
Compact Grade Laminate (CGL)
Galvanised or Painted Mild Steel
Nylon Steel Cored Rope
Stainless Steel Slide
Stainless Steel
Various Plastic Mouldings

Technical Information

Equipment Dimensions

Length / Width / Height **6.0m x 2.8m x 2.2m**

Surfacing and Area Required

Recommended Minimum Space **9.9m x 6.6m x 3.4m**
L/W/H

Max Gradient of Ground **1 in 50**

Free Height of Fall **0.9m**

Impact Area **35.76m²**

Synthetic Area **34.69m²**
(i.e. EPDM / Wetpour / Synthetic Grass etc.)

Loosefill at 250mm **12m³**
(i.e. Bark / Cushionfall / Sand)

1m x 1m Grassmats **49m²**

Installation Information

Steel Ground Fixed

Surface Fixed
(if different)

Installation Time **2 Person(s) 11 Hour(s)**

Overall Weight **338kg**

Heaviest Part **24kg**

Largest Part **1.9m x 0.4m x 0.2m**

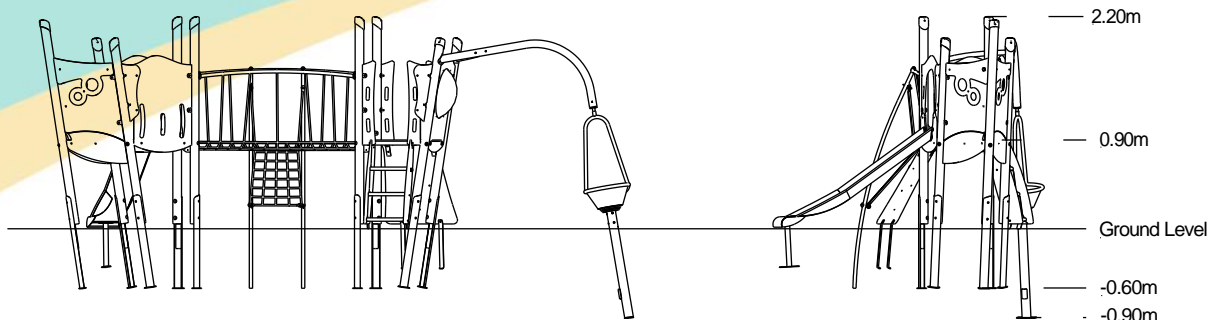
Longest Part **1.9m**

Concrete Required **0.9m³**

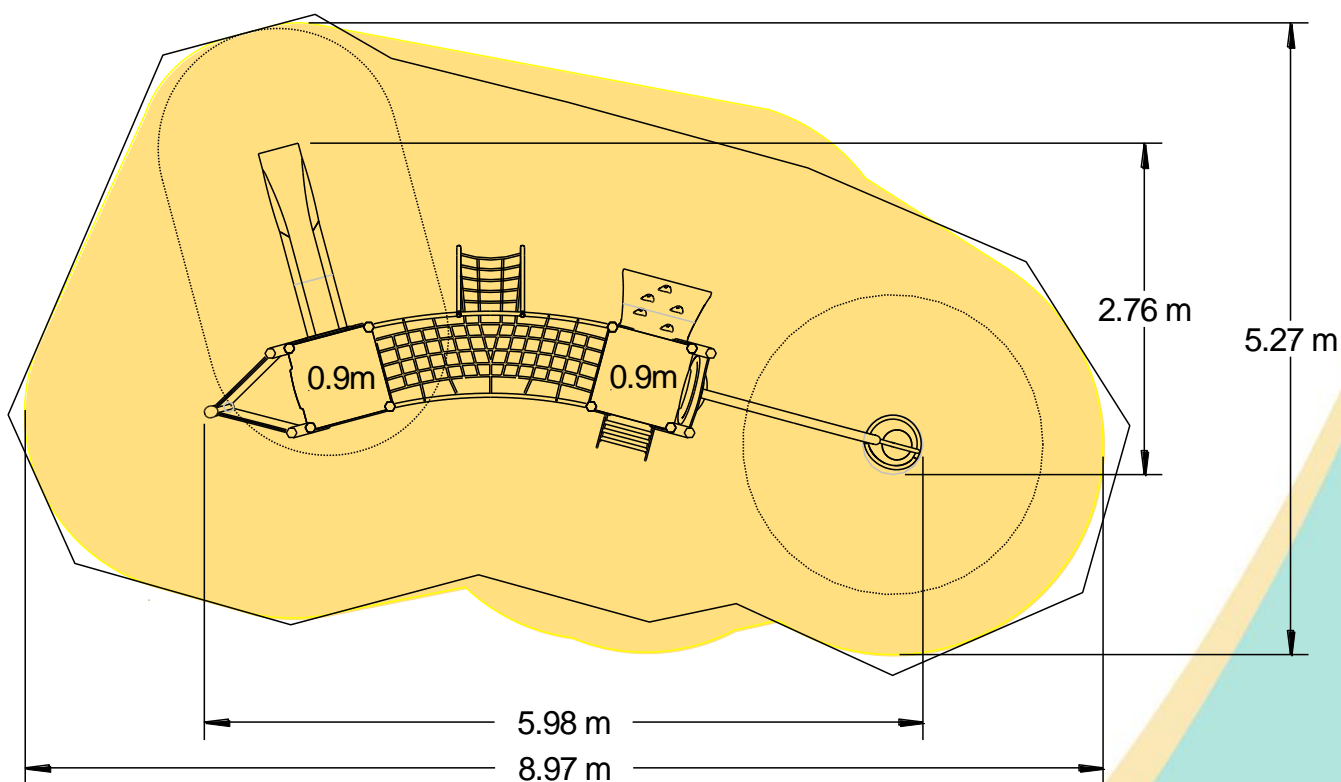
Certified to EN 1176

[Click here for more information & downloads](#)





-  Impact Area
-  Free Space
-  Synthetic Area



[Click here for more information & downloads](#)

