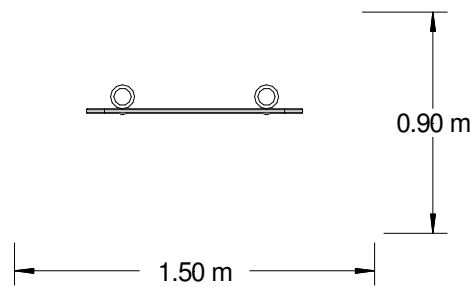
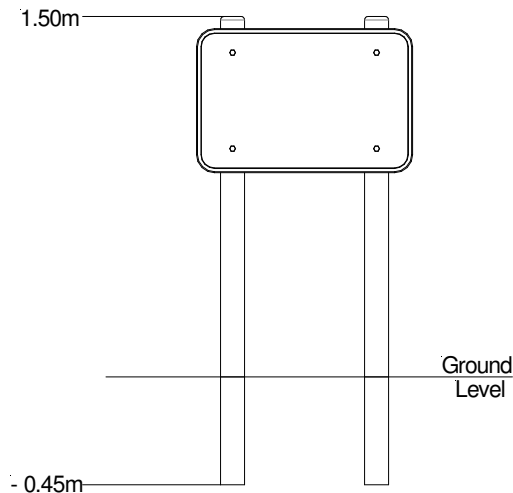


Playground Extras – 90cm x 60cm Entrance Signs



Technical Information		
Equipment Dimensions	Timber Legs	Aluminium Legs
Length / Width / Height	0.90m x 0.13m x 1.50m	0.90m x 0.05m x 1.50m
Surfacing and Area Required		
Minimum space required L/W/H	1.50m x 0.90m x 2.70m	1.50m x 0.90m x 2.70m
Max Gradient Of Ground	n/a	n/a
Free Height Of Fall	n/a	n/a
Impact Area - Wetpour	n/a	n/a
Loosefill At 150mm	n/a	n/a
Bark / Cushionfall / Sand	n/a	n/a
1m X 1m Rubber Tiles	n/a	n/a
Installation Information		
overall weight	42kg	19kg
heaviest part	13kg	14.5kg
largest part	0.10m x 0.10m x 1.95 m	0.83m x 0.04 x 1.85m
longest part	n/a	n/a
concrete required	0.11m ³	0.11m ³